

© 2006 Jabra GN Netcom A/S. All rights reserved. Jabra® is a registered trademark of GN Netcom A/S. All other trademarks included herein are the property of their respective owners. The Bluetooth® word mark and logos are owned by the Bluetooth SIG, Inc. and any use of such marks by GN Netcom A/S is under license. (Design and specifications subject to change without notice).



www.jabra.com

Made in China



Jabra

Jabra

JX10 cara

Design by Jacob Jensen



Bluetooth® headset

User manual

Jabra

TOLL FREE Customer Contact Details:

Phone Numbers:

Belgique/Belgie	00800 722 52272
Danmark	702 52272
Deutschland	0800 1826756
Die Schweiz	00800 722 52272
España	900 984572
France	0800 900325
Italia	800 786532
Luxembourg	00800 722 52272
Nederland	0800 0223039
Norge	800 61272
Österreich	00800 722 52272
Portugal	00800 722 52272
Suomi	00800 722 52272
Sverige	020792522
United Kingdom	0800 0327026
International	00800 722 52272

Email Addresses:

Deutsch	support.de@jabra.com
English	support.uk@jabra.com
Français	support.fr@jabra.com
Italiano	support.it@jabra.com
Nederlands	support.nl@jabra.com
Español	support.es@jabra.com
Scandinavian	support.no@jabra.com

Fig. 1

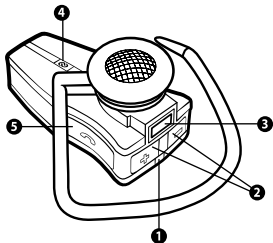


Fig. 2

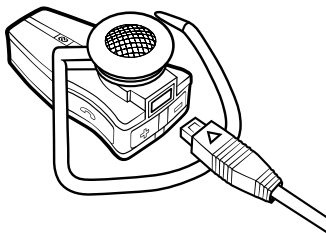


Fig. 3

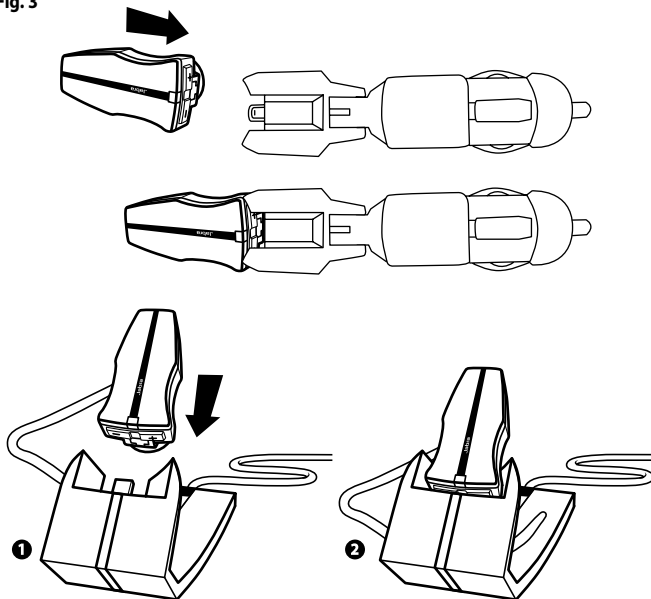


Fig. 4

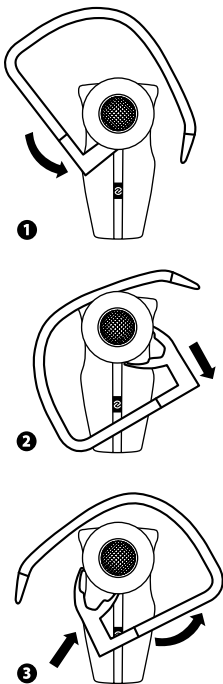


Fig. 5

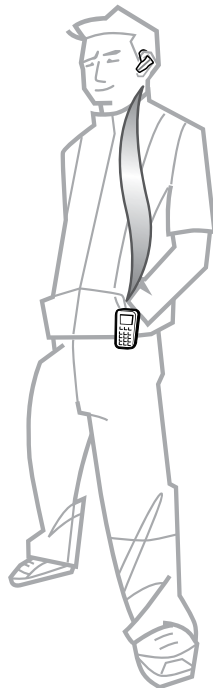
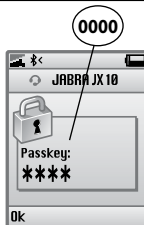
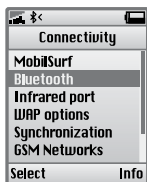


Fig. 6



English	3
Français	15
Deutsch	27
Italiano	39
Nederlands	51
Español	63
Dansk	75
Suomi	87
Svenska	99
Norsk	111
Português	123
Ελληνικά	135

Jabra

JX10 cara

Design by Jacob Jensen

English (GB)

Français (F)

Deutsch (DE)

Italiano (IT)

Nederlands (NL)

Español (ES)

Dansk (DK)

Suomi (SU)

Svenska (SE)

Norsk (NO)

Português (PT)

Ελληνικά (GR)

GB

F

DE

IT

NL

ES

DK

SU

SE

NO

PT

GR

English

Thank you	4
About your Jabra JX10 cara	5
What your new headset can do	6
Getting started	6
Charge your headset	7
Turning your headset on and off	7
Pair it with your phone	7
Wear it how you like it	7
How to	8
What the lights mean	9
Using Jabra JX10 cara with 2 mobiles phones	9
Using a Bluetooth Hub	9
Troubleshooting & FAQ	10
Need more help?	10
Taking care of your headset	10
Service and Warranty information	11
Certification and safety approvals	12
Glossary	12

GB

F

DE

IT

NL

ES

DK

SU

SE

NO

PT

GR

Thank you

Thank you for purchasing the Jabra JX10 cara Bluetooth® Headset. We hope you enjoy it! This instruction manual will get you started and ready to make the most of your headset.

WARNING!

Headsets are capable of delivering sounds at loud volumes and high pitched tones. Exposure to such sounds can result in permanent hearing loss damage. The volume level may vary based on conditions such as the phone you are using, its reception and volume settings, and the environment. Please read the safety guidelines below prior to using this headset.

Safety guidelines

1. Prior to using this product follow these steps:

- before putting on the headset, turn the volume control to its lowest level,
- put the headset on, and then
- slowly adjust the volume control to a comfortable level.

2. During the use of this product

- Keep the volume at the lowest level possible and avoid using the headset in noisy environments where you may be inclined to turn up the volume;
- If increased volume is necessary, adjust the volume control slowly;
and
- If you experience discomfort or ringing in your ears, immediately discontinue using the headset and consult a physician.

With continued use at high volume, your ears may become accustomed to the sound level, which may result in permanent damage to your hearing without any noticeable discomfort.

Using the headset while operating a motor vehicle, motorcycle, watercraft or bicycle may be dangerous, and is illegal in some jurisdictions. Check your local laws. Use caution while using your headset when you are engaging in any activity that requires your full attention. While engaging in any such activity, removing the headset from your ear area or turning off your headset will keep you from being distracted, so as to avoid accident or injury.

3. Keep out of reach of children:

The plastic bags the product and its parts are wrapped in are not toys for children. The bags themselves or the many small parts they contain may cause choking if ingested. Never try to dismantle the product yourself. None of the internal components can be replaced or repaired by users.

Only authorised dealers or service centres may open the product. If any parts of your product require

replacement for any reason, including normal wear and tear or breakage, contact your dealer.

Avoid exposing the product to rain or other liquids.

Dispose of the product according to local standards and regulations.

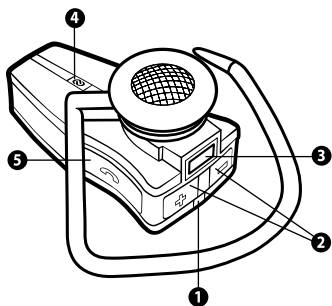
www.gnnetcom.com/weee

4. **ACA T5028 – Ignition of flammable atmospheres**

Do not use the Headset in environments where there is a danger of ignition of flammable gases.

About your Jabra JX10 cara

1. LED light
 - Blue indicates mode (pairing, active or standby)
 - Red/green indicates battery level (low, charging, or charged)
2. Volume up (+), volume down (-)
3. Charging socket
4. Pairing button – press to put headset into pairing mode
5. Answer/end button
 - Press to turn headset on (blue flash burst indicates success)
 - Press and hold to turn headset off (blue flash burst indicates success)
 - Tap to answer or end a call



What your headset can do

Your Jabra JX10 cara lets you do all this (dependent on your phone supporting the function):

- Answer calls
- End calls
- Reject calls*
- Voice dialling*
- Last number redialling*
- Call waiting*
- Put call on hold*

* Phone dependent

Specifications

- Up to 6 hours talk time/standby time up to 200 hours
- Rechargeable battery with charging option from AC power supply, PC via USB cable, desktop charger or car charger
- Less than 17 grams
- Operating range up to 10 metres (approx. 33 feet)
- Headset and hands-free Bluetooth profiles
- Bluetooth specification (see *glossary*) version 1.2

GETTING STARTED

The Jabra JX10 cara is easy to operate. The answer/end button on the headset performs different functions depending on how long you press it.

Instruction:	Duration of press
Tap	Press briefly
Double Tap	2 quickly repeated Taps
Press	Approx: 1 second
Press and hold	Approx: More than 3 seconds

1 Charge your headset

Make sure that your Jabra JX10 cara headset is fully charged before you start using it. Use the AC adaptor to charge from a power socket, or charge directly from your PC with the USB cable provided, or through your car charger - see fig. 3. Connect your headset as shown in fig. 2. When the LED is solid red, your headset is charging.

When the LED is green, it is fully charged.

Charge from your desktop holder

Connect your USB cable/AC power adaptor to the desktop holder. Place your JX10 cara in the desktop holder as shown in fig. 3

Please note: The lifetime of the battery will be significantly reduced if your device is left uncharged for a long period. We therefore recommend that you recharge your device at least once a month."


2 Turning your headset on and off

- Press the answer/end button to turn on your headset.
- Press and hold the answer/end button to turn off your headset.

3 Pair it with your phone

Before you use your Jabra JX10 cara, you need to pair it with your mobile phone.

1. Put the headset in pairing mode

- Make sure the headset is on.
- Press the pairing button marked .

2. Set your Bluetooth phone to 'discover' the Jabra JX10 cara

Follow your phone's instruction guide. This usually involves going to a 'setup,' 'connect' or 'Bluetooth' menu on your phone and selecting the option to 'discover' or 'add' a Bluetooth device. * (See example from a typical mobile phone in fig. 6).

3. Your phone will find the Jabra JX10 cara

Your phone then asks if you want to pair with it. Accept by pressing 'Yes' or 'OK' on the phone and confirm with the passkey or PIN = 0000 (4 zeros). Your phone will confirm when pairing is complete. In case of unsuccessful pairing, repeat steps 1 to 3.

4 Wear it how you like it

The Jabra JX10 cara is ready to wear on your right ear. If you prefer the left, gently remove the earhook and rotate to fit left ear. (See fig. 4)

5 How to...

Answer a call

- **Tap** the answer/end button on your headset to answer a call.

End a call

- **Tap** the answer/end button to end an active call.

Make a call

- When you make a call from your mobile phone, the call will (subject to phone settings) automatically transfer to your headset. If your phone does not allow this feature, tap on the Jabra JX10 cara's answer/end button to transfer the call to the headset.

Reject a call*

- **Press** the answer/end button when the phone rings to reject an incoming call. Depending on your phone settings, the person who called you will either be forwarded to your voice mail or hear a busy signal.

Activate voice dialling*

- Press the answer/end button. For best results, record the voice-dialling tag through your headset. Please consult your phone's user manual for more information about using this feature.

Redial last number*

- **Double Tap** the answer/end button when the headset is on and not used.

Adjust sound and volume

- **Press** the volume up or down (+ or -) to adjust the volume. (*Show fig 1*).

Call waiting and placing a call on hold*

This lets you put a call on hold during a conversation and answer a waiting call.

- **Press** the answer/end button once to put the active call on hold and answer the waiting call.
- **Press** the answer/end button to switch between the two calls.
- **Tap** the answer/end button to end the active conversation.

* Functions marked with * are dependent on your phone supporting these features. Check your phone's user manual for further information.

6 What the light means

What you see	What does this mean about your headset
Flashing blue light	Flashing every second: active on a call
Flashing blue light	Flashing every three seconds: in standby mode
Flashing red light	Running low on battery
Solid red light	Charging
Solid green light	Fully charged
Solid blue light	In pairing mode – see section 3

7 Using Jabra JX10 cara with 2 mobile phones

Jabra JX10 cara is capable of having two mobile phones connected to the headset at the same time. This will give you the freedom of having only headset to operate both your mobile phones and the operation of the functions in the headset functions as described in section 5.

Only it must be observed that Last Number Redial will dial the number from the last outgoing call, independent of the mobile phones, and the Voice Dialling function only will work on the last paired mobile phone.

8 Using a Jabra Bluetooth Hub

The Jabra JX10 cara can be used along with the Jabra Bluetooth Hub (sold separately). This will enable you to use the headset with both your mobile phone and your office phone.

To pair the Jabra JX10 cara with the Jabra Bluetooth Hub

The pairing process is a little different:

- Put your Jabra JX10 cara in pairing mode
- Put the Jabra JX10 cara in pairing mode.
- Place them close together. You do not need a dedicated pin code to pair the two Jabra products. Consult the Jabra Bluetooth Hub user manual for more information on how to connect the Bluetooth hub to your office phone.

The use of the Jabra JX10 cara with the Jabra Bluetooth Hub is very similar to using the headset with a mobile phone only. The only difference lies in the transfer of a call to the headset from the office phone.

Transfer the call to the headset

- Tap the answer/end button to transfer the call from the office phone to the headset via the Jabra Bluetooth Hub

The answering of a call from the office phone requires a hook lifter in order to have the Jabra JX10 cara answer the call automatically.

9 Troubleshooting & FAQ

I hear crackling noises

For the best audio quality, always wear your headset on the same side of the body as your mobile phone.

I cannot hear anything in my headset

- Increase the volume on the headset.
- Ensure that the headset is paired with the phone.
- Make sure that the phone is connected to the headset – if it does not connect either from the phone's Bluetooth menu or by tapping the answer/end button, follow the pairing procedure (see section 3).

I have pairing problems even though my phone indicates otherwise

You may have deleted your headset pairing connection in your mobile phone.

Follow the pairing instructions in section 3.

Will the Jabra JX10 cara work with other Bluetooth equipment?

The Jabra JX10 cara is designed to work with Bluetooth mobile phones. It can also work with other Bluetooth devices that are compliant with Bluetooth version 1.1 or 1.2 and support a headset and/or hands-free profile..

10 Need more help?

See the inside cover for your country's support details.

11 Taking care of your headset

- Always store the Jabra JX10 cara with the power off and safely protected
- Avoid storage at extreme temperatures (above 45°C/113°F – including direct sunlight – or below -10°C/14°F). This can shorten battery life and may affect operation. High temperatures may also degrade performance.
- Do not expose the Jabra JX10 cara to rain or other liquids.

12 Service and Warranty Information

Limited Two-Years Warranty

GN Netcom AS ("GN"), warrants this product to be free from defects in materials and workmanship (subject to the terms set forth below) for a period of one (1) year from the date of purchase ("Warranty Period"). During the Warranty Period, GN will repair or replace (at GN's discretion) this product or any defective parts ("Warranty Service"). If repair or replacement is not commercially practicable or cannot be timely made, GN may choose to refund to you the purchase price paid for the affected product. Repair or replacement under the terms of this warranty does not give right to any extension or a new beginning of the period of warranty.

Claims under the Warranty

To obtain Warranty Service, please contact the GN dealer from which you purchased this product or visit www.gnnetcom.com or www.jabra.com for further information about customer support.

You will need to return this Product to the dealer or ship it to the dealer or to GN (if so indicated on www.gnnetcom.com or www.jabra.com) in either its original packaging or packaging affording an equal degree of protection.

You will bear the cost of shipping the product to GN. If the Product is covered by the warranty, GN will bear the cost of shipping product back to you after the completion of service under this warranty. Return shipping will be charged to you for products not covered by the warranty or requiring no warranty repair.

The Following information must be presented to obtain Warranty Service: (a) the product, and (b) proof of purchase, which clearly indicates the name and address of the seller, the date of purchase and the product type, which is evidence that this product is within the Warranty Period. Please further include (c) your return address. (d) daytime telephone number, and (e) reason for return.

As part of GN/Jabra's efforts to reduce environmental waste you understand that the product may consist of reconditioned equipment that contains used components, some of which have been reworked. The used components all live up to GN/Jabra's high quality standards and comply with the GN product performance and reliability specifications. You understand that replaced parts or components will become the property of GN.

Limitation of Warranty

This warranty is only valid for the original purchaser and will automatically terminate prior to expiration if this product is sold or otherwise transferred to another party. The warranty provided by GN in this statement applies only to products purchased for use, and not for resale. It does not apply to open box purchases, which are sold "as is" and without any warranty.

Specifically exempt from warranty are limited-life consumable components subject to normal wear and tear, such as microphone windscreens, ear cushions, modular plugs, ear tips, decorative finishes, batteries, and other accessories.

This warranty is invalid if the factory-applied serial number, date code label, or product label has been altered or removed from this product.

GB

This Warranty does not cover cosmetic damage or damage due to misuse, abuse, negligence, Acts of Nature, accident, disassembling or modification of, or to any part of, the product. This Warranty does not cover damage due to improper operation, maintenance or installation, or attempted repair by anyone other than GN or a GN dealer which is authorized to do GN warranty work. Any unauthorized repairs will void this warranty.

F**DE****IT****NL****ES****DK****SU****SE**

13 Certification and safety approvals

NO**CE****PT****GR**

This product is CE marked according to the provisions of the R & TTE Directive (99/5/EC). Hereby, GN Netcom, declares that this product is in compliance with the essential requirements and other relevant provisions of Directive 1999/5/EC. For further information please consult <http://www.jabra.com>. Within the EU this device is intended to be used in Austria, Belgium, Cyprus, Czech Republic, Denmark, Estonia, Finland, France, Germany, Greece, Hungary, Ireland, Italy, Latvia, Lithuania, Luxembourg, Malta, Poland, Portugal, Slovakia, Slovenia, Spain, Sweden, The Netherlands, United Kingdom, and within EFTA in Iceland, Norway and Switzerland

Bluetooth

The Bluetooth® word mark and logos are owned by the Bluetooth SIG, Inc. and any use of such marks by GN Netcom is under license. Other trademarks and trade names are those of their respective owners.

14 Glossary

- Bluetooth** is a radio technology that connects devices, such as mobile phones and headsets, without wires or cords over a short distance (approx. 30 feet). Get more information at www.bluetooth.com.
- Bluetooth** profiles are the different ways that Bluetooth devices communicate with other devices. Bluetooth phones support either the headset profile, the hands-free profile or both. In order to support a certain profile, a phone manufacturer must implement certain mandatory features within the phone's software.
- Pairing** creates a unique and encrypted link between two Bluetooth devices and lets them communicate with each other. Bluetooth devices will not work if the devices have not been paired.

- 4 Passkey or PIN** is a code that you enter on your mobile phone to pair it with your Jabra JX10 cara. This makes your phone and the Jabra JX10 cara recognize each other and automatically work together.
- 5 Standby mode** is when the Jabra JX10 cara is passively waiting for a call. When you 'end' a call on your mobile phone, the headset goes into standby mode.

GB

F

DE

IT

NL

ES

DK

SU

SE

NO

PT

GR



Dispose of the product according
to local standards and regulations.
www.jabra.com/weee

GB

F

DE

IT

NL

ES

DK

SU

SE

NO

PT

GR

Français

Merci.....	16
Vue d'ensemble du Jabra JX10 cara	17
Fonctions possibles du casque.....	18
Première utilisation	18
Chargez votre casque.....	18
Mettre en marche et éteindre le casque	19
Appairer le casque avec votre téléphone	19
Position au choix	19
Comment	20
Explication des voyants lumineux	21
Utiliser le Jabra JX10 cara avec 2 téléphones portables.....	21
Utilisation avec un boîtier de connexion Bluetooth Jabra	21
Dépannage et FAQ	22
Besoin d'aide ?	22
Entretien de l'oreillette.....	23
Informations de service et de garantie	23
Autorisations de sécurité et de certification.....	24
Glossaire	25

GB

F

DE

IT

NL

ES

DK

SU

SE

NO

PT

GR

DE Merci d'avoir acheté l'oreillette Bluetooth® Jabra JX10 cara. Nous espérons que vous l'aimerez !
Ce manuel d'utilisation vous permettra d'utiliser et de tirer le meilleur parti de votre oreillette.

IT **AVERTISSEMENT!**

NL Les micro-casques peuvent produire des volumes sonores élevés et des sons aigus. L'exposition à ce type de sons peut provoquer des pertes/lésions auditives définitives. Le niveau sonore peut varier en fonction de conditions telles que le téléphone utilisé, sa réception, les paramètres de volume et l'environnement. Lisez attentivement les directives de sécurité ci-dessous avant d'utiliser ce micro-casque.

SU **Directives de sécurité**

SE **1. Avant d'utiliser ce produit, effectuez les opérations suivantes :**

- avant de mettre le micro-casque, placez la commande de volume sur son niveau le plus bas,
- mettez le micro-casque, puis
- réglez progressivement le volume sonore sur un niveau et une hauteur confortables.

PT **2. Pendant l'utilisation de ce produit :**

- évitez les niveaux sonores élevés ;
- s'il est nécessaire d'augmenter le volume, réglez-le progressivement ;
et
- si vous ressentez une sensation d'inconfort au niveau des oreilles ou de la tête, arrêtez immédiatement le micro-casque et consultez un médecin.

En cas d'utilisation prolongée à volume élevé, vous pouvez vous accoutumer à ce niveau sonore, ce qui peut entraîner des dommages irréversibles à votre ouïe sans gêne perceptible.

Il peut être dangereux et, dans certaines juridictions, illégal, d'utiliser le micro-casque en conduisant un véhicule à moteur, une moto, un bateau ou un vélo. Renseignez-vous sur la loi locale. Soyez prudent si vous utilisez le micro-casque lorsque vous pratiquez une activité qui requiert toute votre attention. Dans ce cas, retirer le casque ou l'éteindre éliminera toute distraction, de sorte à éviter un accident ou des blessures.

GR **3. Tenir hors de portée des enfants.**

Les sacs de plastique qui enveloppent le produit et ses différentes pièces ne sont pas des jouets. Les sacs en eux-mêmes ainsi que les nombreux petits éléments qu'ils contiennent présentent un risque d'étouffement s'ils sont avalés. N'essayez jamais de démonter vous-même le produit. Aucun des éléments intérieurs ne peut être remplacé ou réparé par les utilisateurs.

Seuls des distributeurs ou centres de services autorisés sont habilités à ouvrir le produit. Si une partie de votre produit nécessite d'être remplacée pour quelle raison que ce soit, y compris l'usure normale et la casse, veuillez contacter votre distributeur.

Évitez d'exposer le produit à la pluie ou à d'autres liquides.

Veillez à mettre le produit au rebut selon les règlements locaux standard.

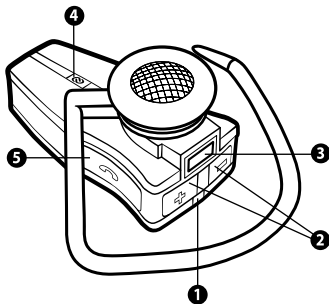
www.gnnetcom.com/weee

4. ACA TS028 – risque d'atmosphères inflammables

N'utilisez pas le casque dans des environnements à risque d'inflammation de gaz inflammables.

Vue d'ensemble du Jabra JX10 cara

1. Voyants lumineux
 - Bleu indique le mode (appairage, appel en cours ou veille).
 - Rouge/vert indique le niveau de charge de la batterie (bas, en charge ou chargée).
2. Volume sonore haut (+), bas (-)
3. Prise de charge
4. Touche d'appairage – **appuyez** pour mettre le casque en mode appairage.
5. Touche Réponse/Fin
 - **Appuyez** pour mettre le casque en marche (un clignotement bleu indique que le casque est en marche).
 - **Appuyez et maintenez la pression** pour éteindre le casque (un clignotement bleu indique que le casque est éteint).
 - **Tapez** pour répondre à un appel ou finir un appel en cours.



Fonctions possibles du casque

Le Jabra JX10 cara permet les fonctions suivantes (si votre téléphone les supporte) :

- réponse aux appels
- fin d'appels
- refus d'appels*
- numérotation vocale*
- rappel du dernier numéro*
- double appel*
- mise en attente d'appel*

* Dépend du modèle de téléphone

Spécifications

- Jusqu'à 6 heures de conversation et jusqu'à 200 heures en veille
- Batterie rechargeable, compatible avec tout chargeur d'alimentation en courant alternatif, PC via câble USB, chargeur de bureau ou de voiture (non fourni).
- Moins de 17 grammes
- Profils Bluetooth : casque et mains libres
- Spécification Bluetooth (voir **Glossaire**) version 1.2

PREMIÈRE UTILISATION

Le Jabra JX10 cara est facile à utiliser. La touche Réponse/Fin du casque assure diverses fonctions, selon la durée de pression.

Instructions :	Durée de pression :
Tapez	Pression brève
Double-tapez	2 pressions brèves répétées rapidement
Appuyez	Env. 1 seconde
Maintenez enfoncée	Env. 2 à 3 secondes

1 Chargez votre casque

Avant la première utilisation, assurez-vous que le casque Jabra JX10 cara est entièrement chargé. Utilisez l'adaptateur secteur CA ou chargez-le directement à partir de votre PC à l'aide du câble USB fourni, ou encore par votre chargeur de voiture : voir l'ill. 3. Raccordez votre casque comme indiqué sur l'ill. 2. Lorsque le voyant reste allumé en rouge, votre casque est en cours de chargement. Quand le voyant est vert, le casque est entièrement chargé.

Utilisation de votre chargeur de bureau

Branchez votre câble USB/adaptateur de secteur sur le chargeur de bureau. Posez votre JX10 cara sur le support comme indiqué sur l'ill. 3.

Veillez noter que la durée de vie de la batterie sera considérablement réduite si votre appareil reste déchargé pendant une longue période. Par conséquent, nous vous recommandons de le recharger au moins une fois par mois.


2 Mettre en marche et éteindre le casque

- Pour mettre le casque en marche, **appuyez** sur la touche Réponse/Fin.
- Pour éteindre le casque, **appuyez** sur la touche Réponse/Fin **et maintenez la pression**.

3 Appairer le casque avec votre téléphone

Avant d'utiliser le Jabra JX10 cara, vous devez l'appairer avec votre téléphone mobile.

1. Mettez le casque en mode appairage

- Assurez-vous que le casque est en marche.
- **Appuyez** sur la touche d'appairage .

2. Réglez votre téléphone Bluetooth pour qu'il « détecte » le Jabra JX10 cara

Suivez le mode d'emploi de votre téléphone. Généralement, les étapes sont les suivantes : « réglages », « connexion » ou bien le menu Bluetooth de **votre téléphone**, puis l'option « détection » ou « ajout » d'un périphérique Bluetooth*.

(Voir fig. 6, exemple à partir d'un téléphone mobile ordinaire).

3. Votre téléphone détecte le Jabra JX10 cara

Votre téléphone vous demande ensuite si vous voulez appairer le casque avec le téléphone. Acceptez en appuyant sur "Oui" ou "OK" sur le téléphone et saisissez le **mot de passe ou code PIN = 0000 (4 zéros)**.

Votre téléphone confirme que l'appairage est terminé. En cas d'échec, répétez les étapes 1 à 3.

4 Position au choix

Le Jabra JX10 cara est livré pour être porté sur l'oreille droite. Si vous préférez le porter sur l'oreille gauche, retirez doucement l'oreillette et tournez-la pour l'adapter à l'oreille gauche. *(Voir fig. 4)*

5 Comment ...

répondre à un appel ?

- Pour répondre à un appel, **tapez** sur la touche Réponse/Fin du casque.

finir un appel ?

- Pour finir un appel en cours, **tapez** sur la touche Réponse/Fin.

effectuer un appel ?

- Si vous effectuez un appel à partir de votre téléphone mobile, l'appel sera automatiquement transféré au casque (en fonction des paramètres du téléphone). Si votre téléphone ne permet pas cette fonction, tapez sur la touche Réponse/Fin du Jabra JX10 cara pour transférer l'appel vers le casque.

refuser un appel ?*

- Pour refuser un appel entrant, **appuyez** sur la touche Réponse/Fin quand le téléphone sonne. Selon les paramètres de votre téléphone, le correspondant sera transféré sur votre messagerie vocale ou recevra la tonalité « occupé ».

Activer la numérotation vocale*

- Appuyez sur la touche Réponse/Fin. Vous obtiendrez de meilleurs résultats si vous enregistrez l'identité de numérotation vocale via votre micro-casque. Veuillez consulter le mode d'emploi de votre téléphone pour davantage d'informations sur cette fonction.

Rappeler le dernier numéro*

- Double-tapez sur la touche Réponse/Fin. Le micro-casque doit être allumé mais pas en cours d'appel.

régler le son et le volume ?

- **Appuyez** sur la touche de volume haut ou bas (+ ou -) pour régler le volume sonore. *(Voir fig. 1)*

utiliser la fonction double appel/mise en attente ?*

Cette fonction vous permet de mettre un appel en attente pendant que vous répondez à un autre appel.

- Pour mettre l'appel en cours en attente et répondre à l'appel entrant, **appuyez** une fois sur la touche Réponse/Fin.
- Pour passer d'un appel à l'autre, **appuyez** sur la touche Réponse/Fin.
- Pour finir l'appel en cours, **tapez** sur la touche Réponse/Fin.

*** Les fonctions marquées * dépendent des fonctions supportées par votre téléphone. Pour plus d'informations, vérifiez le mode d'emploi de votre téléphone.**

6 Explication des voyants lumineux

Ce que vous voyez	correspond sur le casque à
Le voyant bleu clignote	Clignotements toutes les secondes : appel en cours
Le voyant bleu clignote	Clignotements toutes les trois secondes : mode veille
Le voyant rouge clignote	Batterie faible
Le voyant rouge est allumé et ne clignote pas	Batterie en charge
Le voyant vert est allumé et ne clignote pas	Batterie entièrement chargée
Le voyant bleu est allumé et ne clignote pas	Mode appairage – voir section 3

7 Utiliser le Jabra JX10 cara avec 2 téléphones portables

Il est possible d'avoir deux téléphones portables connectés au micro-casque en même temps. Cela vous donne la liberté d'utiliser aussi bien vos téléphones portables que les fonctions du micro-casque décrites en section 6, en manipulant seulement le micro-casque.

Veuillez cependant noter que la fonction Rappel du dernier numéro concernera le numéro du dernier appel sortant, indépendamment des téléphones portables, et que la Numérotation vocale ne fonctionne que sur le téléphone qui a été appairé en dernier.

8 Utilisation avec un boîtier de connexion Bluetooth Jabra

Le Jabra JX10 cara peut être utilisé avec le boîtier de connexion Bluetooth Jabra (vendu à part). Celui-ci vous permet d'utiliser le micro-casque aussi bien avec vos téléphones portables qu'avec votre téléphone fixe.

Pour appairer le Jabra JX10 cara avec le boîtier de connexion Bluetooth Jabra

La procédure d'appairage est un peu différente.

- Mettez le Jabra JX10 cara en mode appairage.
- Mettez le boîtier de connexion Bluetooth Jabra en mode d'appairage.
- Placez-les à proximité l'un de l'autre. Pas besoin de code PIN dédié pour appairer les deux produits Jabra. Consultez le mode d'emploi du boîtier de connexion Bluetooth Jabra pour savoir comment relier le boîtier de connexion à votre téléphone fixe.

L'utilisation du Jabra JX10 cara avec le boîtier de connexion Bluetooth Jabra est très similaire à l'utilisation du micro-casque avec seulement un téléphone portable. La seule différence réside dans le transfert des appels vers le micro-casque depuis le téléphone fixe.

GB

Transférer un appel vers le micro-casque

F

- Tapez sur la touche Réponse/Fin pour transférer l'appel du téléphone fixe vers le micro-casque via le boîtier de connexion Bluetooth Jabra.

DE

Pour répondre à un appel provenant du téléphone fixe, il faut avoir un décrocheur de combiné permettant au Jabra JX10 cara de répondre automatiquement à l'appel.

IT

NL

9 Dépannage et FAQ

ES

J'entends des craquements

DK

Pour une qualité audio optimale, portez toujours l'oreillette du même côté que votre téléphone portable.

SU

Je n'entends rien dans mon oreillette

SE

NO

- Augmentez le volume dans votre oreillette.
- Assurez-vous que le pairing entre l'oreillette et le téléphone a bien été effectué.
- Assurez-vous que le téléphone est connecté à l'oreillette – si il ne se connecte pas à partir du menu Bluetooth du téléphone ou en tapant doucement sur le bouton répondre/raccrocher, suivez la procédure de pairing (**voir la section 3**).

PT

GR

J'ai des problèmes de pairing, même si mon téléphone indique l'inverse

Vous avez peut-être effacé la connexion de pairing de votre oreillette dans votre téléphone portable. Suivez les instructions de pairing dans la section 3.

L'oreillette Jabra JX10 cara fonctionne-t-elle avec d'autres appareils Bluetooth ?

L'oreillette Jabra JX10 cara est conçue pour fonctionner avec des téléphones portables Bluetooth. Elle peut aussi fonctionner avec d'autres appareils Bluetooth compatibles avec les versions Bluetooth 1.1 ou 1.2 et supportant un profil oreillette et/ou mains-libres.

Je ne peux pas utiliser les fonctions de rejet d'appel, de mise en attente d'un appel, de rappel du dernier numéro ou de numérotation vocale

Ces fonctions dépendent du modèle de votre téléphone portable. Veuillez consulter le manuel d'utilisation de votre téléphone pour plus de renseignements.

10 Besoin d'aide ?

Voir l'intérieur de couverture pour informations détaillées.

11 Entretien de l'oreillette

- Eteignez toujours l'oreillette et emballez-la soigneusement avant de la ranger.
- Evitez de l'exposer à des températures extrêmes (au-dessus de 45°C – y compris aux rayons du soleil – ou en dessous de -10°C). Cela risque de réduire la durée de vie de la batterie et d'entraîner des dysfonctionnements. Les températures élevées risquent aussi de diminuer ses performances.
- Evitez tout contact avec la pluie ou d'autres liquides.

12 Informations de service et de garantie

Garantie limitée à deux (2) ans

GN Netcom AS ("GN"), garantit la prise en charge de tout défaut matériel et de fabrication sur ce produit (conformément aux termes énoncés ci-dessous), et ce pour une durée de deux (2) ans, à compter de la date d'achat (« Période de garantie »). Pendant la Période de garantie, GN s'engage à réparer ou remplacer (à sa discrétion) ce produit ou toute pièce défectueuse (« Service de garantie »). Si une réparation ou un remplacement n'est pas opportun(e) ou possible commercialement, GN peut choisir de vous rembourser le prix d'achat du produit concerné. Selon les conditions de cette garantie, la réparation ou le remplacement ne peut donner lieu à une extension ou une nouvelle date de début de la garantie.

Réclamations sous garantie

Pour obtenir le Service de garantie, veuillez contacter le distributeur GN qui vous a vendu ce produit, ou visitez www.gnnetcom.com ou www.jabra.com pour plus d'informations sur l'assistance clientèle.

Vous devez retourner ce produit soit au distributeur soit à GN (si cela est spécifié sur www.gnnetcom.com ou www.jabra.com) dans son emballage d'origine ou un emballage qui assure une protection équivalente.

Les frais de retour du produit à GN restent à votre charge. Si le produit est couvert par la garantie, GN s'engage à vous le renvoyer à nos frais après exécution du service garanti. Les frais de renvoi vous seront facturés pour des produits non couverts par la garantie ou qui ne remplissent pas les conditions requises pour une réparation.

Vous devez fournir les informations suivantes pour bénéficier du Service de garantie : (a) le produit, et (b) une preuve d'achat indiquant clairement le nom et l'adresse du revendeur, la date d'achat et le type de produit, permettant d'établir que le produit est bien couvert par la période de garantie. Veuillez également indiquer (c) votre adresse pour le renvoi du produit, (d) le numéro de téléphone où vous êtes joignable en journée, et (e) la raison du retour du produit.

Dans le cadre des efforts de GN/Jabra pour réduire les déchets et la pollution de l'environnement, nous vous signalons que le produit peut contenir du matériel reconditionné composé d'éléments usagés, dont certains de récupération. Les composants réutilisés répondent tous aux normes strictes de qualité de GN/Jabra, et sont conformes aux spécifications de performance et de fiabilité pour les produits GN. Vous acceptez que tous composants et pièces remplacés deviennent la propriété de GN.

GB

Limitation de la garantie

F

La présente garantie s'applique uniquement à l'acheteur initial et prendra automatiquement fin avant la date d'expiration si le produit est vendu ou autrement cédé à des tiers. La garantie offerte par GN dans le présent document s'applique uniquement aux produits achetés pour un usage personnel et non pour la revente. Elle n'est pas valable pour des produits vendus avec l'emballage ouvert, « tels quels » et sans aucune garantie.

DE

IT

La présente garantie ne couvre pas des consommables exposés à l'usure normale, tels qu'écrans anti-vent, bouchons d'oreille, fiches modulaires, embouts, revêtements décoratifs, batteries et autres accessoires.

NL

La présente garantie est rendue nulle si le numéro de série, l'étiquette du code de date ou l'étiquette produit apposés en usine ont été modifiés ou enlevés.

ES

La présente garantie ne couvre aucun dommage superficiel ou résultant d'abus, d'usage incorrect, de la négligence, d'intempéries, d'accidents, du démontage ou de la modification (de toute partie) du produit. La présente garantie ne couvre pas les dommages dus à une mauvaise utilisation, maintenance ou installation, ou à des tentatives de réparation par d'autres personnes que des réparateurs GN ou un distributeur GN qualifié pour la réparation. Toute réparation non autorisée annulera la garantie.

DK

SU

SE

NO

PT

GR

LES RÉPARATIONS OU REMPLACEMENTS SOUS GARANTIE CONSTITUENT L'UNIQUE REMÈDE DU CLIENT. GN N'EST NULLEMENT RESPONSABLE DE TOUT DOMMAGE ACCIDENTEL OU SUBSÉQUENT RÉSULTANT D'UNE RUPTURE DE LA GARANTIE EXPLICITE OU IMPLICITE DU PRODUIT. EXCEPTÉ DANS LA MESURE OÙ CELA EST INTERDIT PAR LA LÉGISLATION EN VIGUEUR, LA PRÉSENTE GARANTIE EST EXCLUSIVE ET REMPLACE TOUTE AUTRE GARANTIE EXPLICITE OU IMPLICITE, Y COMPRIS, MAIS NON LIMITÉ À, TOUTE GARANTIE DE COMMERCIALISATION ET D'ADÉQUATION À UN USAGE SPÉCIFIQUE.

REMARQUE ! Cette garantie vous accorde des droits particuliers, mais vous pouvez avoir d'autres droits, variant d'un endroit à un autre. De fait que certaines juridictions n'autorisent pas l'exclusion ou la limitation de responsabilité pour des dommages accessoires ou indirects ou des garanties tacites, l'exclusion susmentionnée peut ne pas s'appliquer à votre cas. La présente garantie n'affecte pas vos droits légaux (statutaires) applicables aux termes de la législation nationale ou légale.

13 Autorisations de sécurité et de certification

CE

Ce produit porte le marquage CE conformément aux dispositions de la Directive 1999/5/CE (R&TTE). Les produits appartiennent à leurs propriétaires respectifs.

GN Netcom déclare par la présente que ce produit est conforme aux principales exigences et autres dispositions pertinentes de la Directive 1999/5/CE.

Pour de plus amples informations, nous vous invitons à visiter le site <http://www.jabra.com>

Dans l'UE, ce dispositif est utilisable dans les pays suivants : Autriche, Belgique, Chypre, République tchèque, Danemark, Estonie, Finlande, France, Allemagne, Grèce, Hongrie, Irlande, Italie, Lettonie, Lituanie, Luxembourg, Malte, Pologne, Portugal, Slovaquie, Slovénie, Espagne, Suède, Pays Bas, Royaume-Uni, et dans les pays de l'AELE : Islande, Norvège et Suisse.

Bluetooth

La marque et le logo *Bluetooth*® sont la propriété de Bluetooth SIG, Inc. et toute utilisation de telles marques par GN Netcom est sous licence. Toutes autres marques et dénominations commerciales appartiennent à leurs propriétaires respectifs.

14 Glossaire

- 1 La technologie **Bluetooth** est une technologie radio permettant de connecter des appareils, tels que des téléphones portables ou des oreillettes, sans fils ni cordons électriques sur une courte distance (environ 10 mètres). Pour plus d'informations, rendez-vous sur le site www.bluetooth.com.
- 2 Les **profils Bluetooth** sont les différentes manières dont les appareils Bluetooth communiquent avec d'autres appareils. Les téléphones Bluetooth supportent soit le profil oreillette, soit le profil mains-libres, soit les deux. Afin de supporter un profil spécifique, le fabricant de téléphone doit intégrer certaines fonctions obligatoires dans le logiciel du téléphone.
- 3 Le **pairage** crée un lien unique et crypté entre deux appareils Bluetooth et leur permet de communiquer entre eux. Les appareils Bluetooth ne fonctionneront pas si ils n'ont pas fait l'objet d'un pairage.
- 4 Le **code passe-partout ou PIN** est un code que vous entrez dans votre téléphone portable afin d'effectuer un pairage avec votre oreillette Jabra JX10 cara . Il permet à votre téléphone et à l'oreillette Jabra JX10 cara de se reconnaître et de fonctionner automatiquement ensemble.
- 5 Le **mode veille** est actif lorsque l'oreillette Jabra JX10 cara attend passivement un appel. Lorsque vous « terminez » un appel sur votre téléphone portable, l'oreillette passe en mode veille.



Mettre le produit au rebut
selon les règlements locaux standard.
www.jabra.com/weee

GB

F

DE

IT

NL

ES

DK

SU

SE

NO

PT

GR

Deutsch

Vielen Dank	28
Ihr Jabra JX10 cara	29
Funktionen des Headsets	30
ZU BEGINN	30
Aufladen des Akkus im Headset	30
Ein- und Ausschalten des Headsets	31
Anschluss an ein Telefon	31
Tragen Sie es, wo Sie wollen	31
Tipps zur Benutzung	32
Bedeutung der LED-Anzeige	33
Verwenden des Jabra JX10 cara mit 2 Mobiltelefonen	33
Verwenden eines Jabra Bluetooth-Hubs	33
Fehlersuche und häufig gestellte Fragen (FAQ)	34
Weitere Hilfe?	34
Pflege Ihres Headsets	34
Service- und Garantiefinformation	35
Zertifizierung und sicherheitstechnische Genehmigungen	36
Glossar	37

GB

F

DE

IT

NL

ES

DK

SU

SE

NO

PT

GR

Vielen Dank

DE Vielen Dank, dass Sie das Bluetooth® Headset Jabra JX10 cara gekauft haben. Wir hoffen, dass Sie Freude daran haben!

IT Diese Bedienungsanleitung macht Sie mit den ersten Schritten vertraut und damit, wie Sie Ihr Headset optimal einsetzen.

WARNING!

ES Headsets können sehr laute und hohe Töne übertragen. Wenn Sie solchen Tönen ausgesetzt sind, kann dies zu dauerhaften Hörschäden bzw. dauerhaftem Hörverlust führen. Die Lautstärke hängt von verschiedenen Faktoren ab, wie vom verwendeten Telefon, Empfang, von den Lautstärkeinstellungen und der Umgebung. Lesen Sie zunächst die folgenden Sicherheitshinweise, bevor Sie dieses Headset verwenden

Sicherheitshinweise

1. Befolgen Sie bitte nachstehende Anweisungen, bevor Sie dieses Gerät verwenden:

- NO** • Bevor Sie das Headset aufsetzen, stellen Sie die geringste Lautstärke ein.
- PT** • Setzen Sie das Headset auf, und ...
- ... passen Sie die Lautstärke dann langsam auf einen angenehmen Pegel an.

2. Beachten Sie Folgendes, wenn Sie mit den Gerät arbeiten:

- GR** • Lassen Sie die Lautstärke so leise wie möglich eingestellt, und vermeiden Sie die Verwendung des Headsets in einer lauten Umgebung, die möglicherweise eine lautere Einstellung erfordert.
- Sollte eine höhere Lautstärke erforderlich sein, passen Sie die Lautstärke langsam an.
- Sollten Sie ein unangenehmes Gefühl im Ohr oder Kopf verspüren, legen Sie das Headset sofort ab, und wenden Sie sich ggf. an einen Arzt.

Bei fortgesetzter Verwendung mit hoher Lautstärke können sich Ihre Ohren an den Schallpegel gewöhnen, was zu dauerhafter Schädigung des Gehörs führen kann, auch wenn Sie keine Beschwerden bemerken sollten.

Die Verwendung des Headsets am Steuer eines Motorfahrzeuges, Motorrades, Wasserfahrzeuges oder Fahrrades kann gefährlich sein und ist in einigen Rechtsordnungen verboten. Informieren Sie sich über die örtlichen Gesetze. Seien Sie vorsichtig, wenn Sie das Headset bei einer Aktivität benutzen, die Ihre volle Konzentration erfordert. Um Unfälle und Verletzungen durch Ablenkung zu vermeiden, sollte das Headset während solcher Aktivitäten von Ihren Ohren entfernt oder ausgeschaltet werden.

3. Bewahren Sie das Gerät außerhalb der Reichweite von Kindern auf:

Die Kunststofftüten, in die das Gerät und das Zubehör verpackt sind, eignen sich nicht als Kinderspielzeug. Die Tüten oder die darin enthaltenen Kleinteile können bei Verschlucken zum Ersticken führen. Versuchen Sie niemals selbst, das Gerät auseinanderzubauen. Die internen Bauteile können nicht von Anwendern ersetzt oder repariert werden.

Nur autorisierte Händler oder Service-Zentren dürfen das Gerät öffnen. Falls Teile Ihres Geräts aus irgendeinem Grund ersetzt werden müssen, beispielsweise wegen Verschleiß oder Defekten, wenden Sie sich bitte an Ihren Fachhändler.

Vermeiden Sie es, das Gerät Regen oder anderen Flüssigkeiten auszusetzen.

Entsorgen Sie das Produkt gemäß den örtlichen Vorschriften.

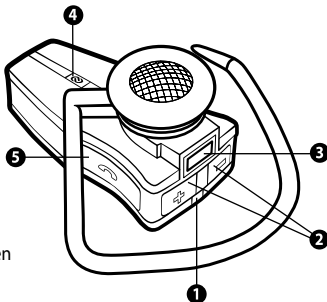
www.gnnetcom.com/weee

4. ACA TS028 – Entflammung in zündfähiger Atmosphäre

Verwenden Sie das Headset nicht in Umgebungen, in denen die Gefahr einer Entflammung zündfähiger Gase besteht.

Ihr Jabra JX10 cara

- LED-Anzeige
 - Blau zeigt den Modus an (Pairing, aktiv oder Standby)
 - Rot/grün zeigt den Batteriestatus an (entladen, Ladevorgang oder voll geladen)
- Lautstärke (+), Lautstärke (-)
- Ladebuchse
- Pairing-Taste – **Drücken**, um das Headset in den Pairingmodus zu schalten
- Rufannahme/Beenden-Taste
 - Drücken**, um das Headset einzuschalten (blaues Aufleuchten zeigt das erfolgreiche Einschalten an)
 - Drücken und Halten** zum Ausschalten des Headsets (blaues Aufleuchten zeigt das erfolgreiche Ausschalten an)
 - Antippen**, um ein Gespräch anzunehmen oder zu beenden



Funktionen des Headsets

Ihr Jabra JX10 cara bietet folgende Funktionen (je nachdem, ob Ihr Telefon die Funktion unterstützt):

- Anrufe annehmen
- Anrufe beenden
- Anrufe ablehnen*
- Sprachsteuerung*
- Wahlwiederholung*
- Anklopfen*
- Anruf parken*

*Telefonabhängig

Spezifikationen

- Bis zu 6 Stunden Sprechzeit und bis zu 200 Stunden Standby-Betrieb
- Aufladbare Batterie mit Ladeoption über Wechselstromnetzteil, PC via USB-Kabel, Desktop-Ladegerät oder Autosteckdose (nicht enthalten)
- Weniger als 17 Gramm
- Reichweite bis zu 10 Meter
- Freisprechheadset mit Bluetooth-Option
- Bluetooth-Spezifikation (siehe **Glossar**) Version 1.2

ZU BEGINN

Das Jabra JX10 cara ist einfach zu bedienen. Die Rufannahme/Beenden-Taste am Headset bietet mehrere Funktionen, je nachdem, wie lange sie gedrückt wird.

Aktion:	Drückdauer:
Tippen	Kurz antippen
Zweimal tippen	Zweimal kurz nacheinander antippen
Drücken	Ca. 1 Sekunde
Drücken und Halten	Ca. 2-3 Sekunden

1 Aufladen des Akkus im Headset

Laden Sie Ihr Jabra JX10 cara Headset erst vollständig auf, bevor Sie es erstmals verwenden. Verwenden Sie dazu das Netzteil und eine Steckdose oder Ihren PC und das mitgelieferte USB-Kabel bzw. das Kfz-Ladegerät (siehe Abb. 3). Schließen Sie das Headset an wie in Abb. 2 dargestellt. Leuchtet die LED permanent rot, dann wird das Headset geladen.

Wechselt die LED auf grün, ist der Ladevorgang beendet.

Laden mit der Basisstation

Verbinden Sie Ihr USB-Kabel/Wechselstromnetzteil mit der Basisstation. Setzen Sie Ihr JX10 cara in die Basisstation wie in Abbildung 3 dargestellt.

Bitte beachten: Die Nutzungsdauer des Akkus verkürzt sich deutlich, wenn das Gerät über einen längeren Zeitraum nicht geladen wurde. Wir empfehlen daher, das Gerät mindestens einmal im Monat aufzuladen.


2 Ein- und Ausschalten des Headsets

- **Drücken** Sie die Taste Rufannahme/Beenden, um das Headset einzuschalten.
- **Drücken und Halten** Sie die Taste Rufannahme/Beenden, um das Headset auszuschalten.

3 Anschluss an ein Telefon

Bevor Sie Ihr Jabra JX10 cara benutzen können, müssen Sie es auf Ihr Mobiltelefon abstimmen.

1. Pairingmodus des Headsets aufrufen

- Schalten Sie das Headset ein.
- **Drücken** Sie die Pairing-Taste .

2. Konfiguration eines Bluetooth-Telefons zur Erkennung des Jabra JX10 cara

Folgen Sie den Anweisungen Ihres Telefonhandbuchs. In der Regel erfolgt dies über Menüs in **Ihrem Telefon** wie 'Setup', 'Verbinden' oder 'Bluetooth' und der Auswahl einer Option wie 'Erkennung' oder 'Hinzufügen' eines Bluetooth-Geräts.

** (Siehe Beispiel eines typischen Menüs in einem Mobiltelefon, Abb. 6).*

3. Das Telefon erkennt das Jabra JX10 cara automatisch.

Das Telefon fragt anschließend, ob Sie das Gerät anbinden möchten. Antworten Sie mit 'Ja' oder mit 'OK' im Telefonmenü und bestätigen durch Eingabe des **Passworts oder der PIN = 0000 (4 Nullen)**.

Nach Abschluss der Anbindung bestätigt das Telefon den Vorgang. Gelingt die Anbindung nicht, wiederholen Sie die Schritte 1 bis 3.

4 Tragen Sie es, wo Sie wollen

Werkseitig ist das Jabra JX10 cara zum Tragen am rechten Ohr konfiguriert. Wenn Sie möchten, können Sie durch vorsichtiges Abnehmen des Haltebügels und Umdrehen das Headset auch am linken Ohr tragen. **(Siehe Abb. 4).**

5 Tipps zur Benutzung

Einen Anruf annehmen

- **Tippen** Sie kurz die Taste Rufannahme/Beenden am Headset an.

Einen Anruf beenden

- **Tippen** Sie erneut kurz die Taste Rufannahme/Beenden am Headset an.

Einen Anruf tätigen

- Wenn Sie mit Ihrem Mobiltelefon einen Anruf starten, wird das Gespräch automatisch (je nach Telefoneinstellungen) über das Headset geleitet. Bietet Ihr Telefon diese automatische Funktion nicht, tippen Sie kurz auf die Taste Rufannahme/Beenden am Jabra JX10 cara, um das Gespräch über das Headset zu leiten.

Einen Anruf ablehnen*

- **Drücken** Sie die Taste Rufannahme/Beenden während des Klingelns, um einen ankommenden Anruf abzulehnen. Je nach Telefoneinstellung wird der Anrufer entweder an Ihre Mailbox umgeleitet oder er hört ein Besetztzeichen.

Sprachsteuerung aktivieren*

- **Drücken** Sie die Taste Rufannahme/Beenden. Für beste Ergebnisse zeichnen Sie die Sprachbefehle am besten über das Headset auf. Im Handbuch Ihres Mobiltelefons finden Sie weitere Informationen zur Sprachsteuerung.

Wahlwiederholung*

- Tippen Sie zweimal auf die Taste Rufannahme/Beenden, wenn das Headset eingeschaltet ist und nicht verwendet wird.

Einstellung von Sound und Lautstärke

- **Drücken** Sie die Tasten Lautstärke (+ oder -) zur Einstellung der Lautstärke. **(Siehe Abb. 1).**

Anklöpfen und Anrufe parken*

Damit können Sie ein laufendes Gespräch unterbrechen und ein weiteres Gespräch annehmen.

- **Drücken** Sie die Taste Rufannahme/Beenden einmal, um das aktive Gespräch zu parken und das neue Gespräch anzunehmen.
- **Drücken** Sie die Taste Rufannahme/Beenden, um zwischen den Gesprächen hin- und herzuschalten.
- **Tippen** Sie kurz die Taste Rufannahme/Beenden an, um das aktive Gespräch zu beenden.

*** Funktionen mit diesem Zeichen * hängen davon ab, ob Ihr Telefon diese Funktionen unterstützt. Im Handbuch Ihres Mobiltelefons finden Sie dazu weitere Informationen.**

6 Bedeutung der LED-Anzeige

LED-Aktivität	Bedeutung
Blaues Blinklicht	Blinkt einmal pro Sekunde: aktiver Anruf läuft
Blaues Blinklicht	Blinkt alle drei Sekunden: Standby-Modus
Rotes Blinklicht	Batterie nahezu entladen
Rotes Dauerlicht	Ladevorgang
Grünes Dauerlicht	Batterie voll geladen
Blaues Dauerlicht	Pairing-Modus – <i>siehe Kapitel 3</i>

7 Verwenden des Jabra JX10 cara mit 2 Mobiltelefonen

Es können gleichzeitig zwei Mobiltelefone mit dem Jabra JX10 cara verbunden sein. Dies bietet Ihnen die Möglichkeit, beide Mobiltelefone mit nur einem einzigen Headset bedienen zu können. Die Funktionen des Headsets sind wie in Abschnitt 6 beschrieben zu verwenden.

Es ist lediglich zu beachten, dass das Merkmal Wahlwiederholung unabhängig vom Mobiltelefon die zuletzt gewählte Nummer wählt. Die Sprachwahlfunktion funktioniert nur mit dem Mobiltelefon, das zuletzt gekoppelt wurde.

8 Verwenden eines Jabra Bluetooth-Hubs

Das Jabra JX10 cara kann in Verbindung mit dem Jabra Bluetooth-Hub (optional erhältlich) verwendet werden. Dies bedeutet, dass Sie das Headset mit Ihrem Mobiltelefon und Ihrem Bürotelefon verwenden können.

Verbinden des Jabra JX10 cara mit dem Jabra Bluetooth-Hub

Dieser Pairing-Prozess erfolgt etwas anders:

- Versetzen Sie das Jabra JX10 cara in den Pairing-Modus.
- Versetzen Sie den Jabra Bluetooth-Hub in den Pairing-Modus.
- Beide Geräte dicht nebeneinander legen. Für die Anbindung der beiden Jabra-Produkte wird keine spezielle PIN benötigt. Im Handbuch des Jabra Bluetooth-Hubs finden Sie weitere Informationen zum Verbinden des Bluetooth-Hubs mit Ihrem Bürotelefon.

Die Verwendung des Jabra JX10 cara mit dem Jabra Bluetooth-Hub ist dem Einsatz des Headsets nur mit einem Mobiltelefon sehr ähnlich. Der einzige Unterschied besteht im Leiten eines Gesprächs vom Bürotelefon über das Headset.

Übertragen des Gesprächs an das Headset

- Tippen Sie kurz auf die Taste Rufannahme/Beenden, um das Gespräch vom Bürotelefon über den Jabra Bluetooth-Hub auf das Headset zu übertragen.

Für das Annehmen eines Gesprächs vom Bürotelefon ist ein Hörerabnehmer erforderlich, damit das Jabra JX10 cara das Gespräch automatisch annehmen kann.

GB

F

9 Fehlersuche und häufig gestellte Fragen (FAQ)

DE

Ich höre Knackgeräusche

Zur Erzielung der besten Tonqualität tragen Sie Ihr Headset immer an derselben Körperseite wie Ihr Handy.

IT

NL

Ich kann nichts im Headset hören

- Lautstärke am Headset erhöhen.
- Überprüfen, ob das Pairing mit dem Telefon korrekt ist.
- Achten Sie darauf, dass das Telefon mit dem Headset verbunden ist – wenn entweder über das Bluetooth-Menü des Telefons oder durch Antippen der Annehmen-/Auflegen-Taste keine Verbindung herstellbar ist, führen Sie die Pairing-Prozedur (*siehe Abschnitt 3*) aus.

ES

DK

SU

SE

Ich habe Probleme beim Pairing, obwohl mein Telefon etwas anderes anzeigt.

Möglicherweise haben Sie an Ihrem Handy die Pairing-Verbindung zum Headset gelöscht. Befolgen Sie die Pairing-Anweisungen in Abschnitt 3.

NO

PT

GR

Funktioniert das Jabra JX10 cara mit anderen Bluetooth-Geräten?

Das Jabra JX10 cara ist für das Zusammenwirken mit Bluetooth-fähigen Handys ausgelegt. Es funktioniert auch mit anderen Bluetooth-Geräten, die mit den Bluetooth-Versionen 1.1 oder 1.2 kompatibel sind und Headset- und/oder Freihand-Profile unterstützen.

Anrufabweisung, Wartefunktion, Wahlwiederholung oder Sprachwahl können nicht verwendet werden

Diese Funktionen werden möglicherweise von Ihrem Handy nicht unterstützt. Weitere Informationen hierzu können Sie in der Bedienungsanleitung Ihres Handys nachlesen.

10 Weitere Hilfe?

Weitere Informationen finden Sie auf dem Innendeckel

11 Pflege Ihres Headsets

- Bewahren Sie das Jabra JX10 cara immer im ausgeschalteten Zustand und sicher geschützt auf.
- Vermeiden Sie die Lagerung bei extremen Temperaturen (über 45 °C/113 °F – einschließlich des direkten Sonnenlichts – oder unter -10 °C/14 °F). Dies kann zu einer Verkürzung der Lebensdauer der Batterie führen und die Funktion beeinträchtigen. Hohe Temperaturen können auch das Betriebsverhalten verschlechtern.
- Setzen Sie das Jabra JX10 cara nicht dem Regen oder anderen Flüssigkeiten aus.

12 Service- und Garantiefinformation

Beschränkte Garantie auf zwei (2) Jahre

GN Netcom AS ("GN") garantiert, dass dieses Produkt (gemäß den nachstehenden Bedingungen) für einen Zeitraum von zwei (2) Jahre ab Kauf („Garantiezeit“) frei sein wird von Mängeln an Material und Verarbeitungsqualität. Während der Garantiezeit wird GN (nach eigenem Ermessen) dieses Produkt oder schadhafte Teile desselben reparieren oder austauschen („Garantieservice“). Wenn eine Reparatur oder ein Austausch unwirtschaftlich sind oder nicht zeitgerecht durchgeführt werden können, kann GN Ihnen auch den Kaufpreis des betreffenden Produkts zurückerstatten. Eine Reparatur oder ein Austausch gemäß den Bedingungen dieser Garantie bedingt keine Verlängerung oder keinen Neubeginn der Garantiezeit.

Garantieansprüche

Um einen Garantieservice zu erhalten, wenden Sie sich bitte an den GN-Händler, bei dem Sie dieses Produkt gekauft haben, oder besuchen Sie für weitere Kundensupport-Informationen www.gnnetcom.com oder www.jabra.com.

Sie müssen dieses Produkt entweder in seiner Originalverpackung oder in einer Verpackung, die einen gleichwertigen Schutz bietet, dem Händler zurückgeben oder es an den Händler oder an GN senden (falls in www.gnnetcom.com oder www.jabra.com angegeben).

Sie tragen die Kosten für den Versand des Produkts an GN. Wenn das Produkt unter Garantie steht, trägt GN die Kosten für die Rücksendung an Sie nach dem Garantieservice. Die Kosten für die Rücksendung von Produkten, die nicht unter Garantie stehen oder die keine Garantiereparatur benötigen, sind von Ihnen zu tragen.

Um einen Garantieservice zu erhalten, müssen Sie folgende Informationen vorlegen: (a) das Produkt und (b) einen Kaufnachweis, aus dem Name und Adresse des Verkäufers, Kaufdatum und Produkttyp klar hervorgehen und der nachweist, dass dieses Produkt unter Garantie steht. Bitte geben Sie außerdem (c) Ihre Rücksendeadresse, (d) die Telefonnummer, unter der Sie tagsüber erreichbar sind, und (e) den Grund für die Rücksendung an.

Wir weisen Sie im Rahmen der Bemühungen von GN/Jabra zur Abfallvermeidung darauf hin, dass dieses Produkt aus erneuerter Ausrüstung bestehen kann, die gebrauchte Komponenten enthält, von denen einige überarbeitet sein können. Alle gebrauchten Komponenten entsprechen den hohen Qualitätsstandards von GN/Jabra und den Produktleistungs- und Verlässlichkeitsspezifikationen von GN. Wir weisen Sie darauf hin, dass ausgetauschte Teile oder Komponenten ins Eigentum von GN übergehen.

Haftungsbeschränkung

Diese Garantie gilt nur für den ursprünglichen Käufer und endet vor ihrem Ablauf automatisch, wenn dieses Produkt verkauft oder anderweitig an einen Dritten übertragen wird. Die von GN in dieser Erklärung abgegebene Garantie bezieht sich nur auf Produkte, die zur Verwendung gekauft wurden, und nicht für solche, die zum Weiterverkauf gekauft wurden. Sie gilt nicht für Produkte in offener Verpackung, die im „Ist-Zustand“ und ohne Garantie verkauft werden.

GB

In spezifischer Weise von der Garantie ausgeschlossen sind Verbrauchsgüter mit beschränkter Lebensdauer, die dem normalen Verschleiß unterliegen, wie Mikrofon-Windschutz, Ohrpolster, modulare Stecker, Ohrbügel, dekorative Oberflächen, Batterien und sonstiges Zubehör.

F

DE

Diese Garantie gilt nicht, wenn die fabriksseitig angebrachte Seriennummer, das Etikett mit dem Datumscode oder das Produktetikett geändert oder von diesem Produkt entfernt wurden.

IT

Diese Garantie gilt nicht für kosmetische Beschädigungen oder für Beschädigungen durch falsche oder missbräuchliche Verwendung, Fahrlässigkeit, Höhere Gewalt, Unfälle, Auseinandernehmen oder Änderung des Produkts oder irgendwelcher Teile desselben. Diese Garantie gilt nicht für Schäden aufgrund von unsachgemäßem Betrieb oder unsachgemäßer Wartung oder Installation oder aufgrund von Reparaturversuchen durch andere Personen als GN oder einen von GN zur Durchführung von Garantiearbeiten ermächtigten GN Händler. Nicht autorisierte Reparaturen machen diese Garantie ungültig.

NL

ES

DK

SU

SE

NO

PT

GR

GEMÄSS DIESER GARANTIE DURCHGEFÜHRTE REPARATUREN ODER AUSTAUSCHARBEITEN STELLEN DAS ALLEINIGE RECHTSMITTEL DES KONSUMENTEN DAR. GN HAFTET FÜR KEINE BEILÄUFIGEN ODER FOLGESCHÄDEN INFOLGE DER VERLETZUNG EINER FÜR DIESES PRODUKT GELTENDEN AUSDRÜCKLICHEN ODER STILLSCHWEIGENDEN GARANTIE. AUSSER SOWEIT GESETZLICH UNTERSAGT, HANDELT ES SICH BEI DIESER GARANTIE UM EINE AUSSCHLIESSLICHE GARANTIE ANSTELLE ALLER ANDEREN AUSDRÜCKLICHEN UND STILLSCHWEIGENDEN GARANTIEN JEGLICHER ART, EINSCHLIESSLICH UNTER ANDEREM EINER GARANTIE DER VERMARKTBARKEIT UND DER EIGNUNG FÜR EINEN BESTIMMTEN ZWECK.

HINWEIS! Diese Garantie überträgt Ihnen bestimmte gesetzliche Rechte. Sie haben eventuell andere Rechte, die von Ort zu Ort verschieden sind. Da einige Gerichtsbarkeiten die Ausschließung oder Einschränkung der Haftung für Folgeschäden nicht zulassen, gelten die obigen Einschränkungen eventuell nicht für Sie. Diese Garantie hat keinen Einfluss auf Ihre (gesetzlichen) Rechte gemäß Ihren anwendbaren nationalen oder lokalen Gesetzen.

13 Zertifizierung und sicherheitstechnische Genehmigungen

CE

Dieses Produkt hat das CE-Zeichen gemäß der Bestimmungen der Endgeräterichtlinie (1999/5/EG).

Hiermit erklärt GN Netcom, dass dieses Produkt die grundlegenden Anforderungen und andere Bestimmungen der Richtlinie 1999/5/EG erfüllt.

Weitere Informationen finden Sie im Internet unter <http://www.jabra.com>

Innerhalb der EU ist dieses Gerät für die Verwendung in Österreich, Belgien, Zypern, der Tschechischen Republik, Dänemark, Estland, Finnland, Frankreich, Deutschland, Griechenland, Ungarn, Irland, Italien, Lettland, Litauen, Luxemburg, Malta, Polen, Portugal, der Slowakei, Slowenien, Spanien, Schweden, Niederlande und Großbritannien und innerhalb der EFTA für die Verwendung in Island, Norwegen und der Schweiz vorgesehen.

GB

F

DE

IT

NL

ES

DK

SU

SE

NO

PT

GR

Bluetooth

Der Markenname *Bluetooth*® sowie das Bluetooth® -Logo sind Eigentum von Bluetooth SIG, Inc. und jede Verwendung dieser Markenzeichen durch GN Netcom erfolgt unter Lizenz. Andere Markenzeichen und Markennamen sind Eigentum der jeweiligen Eigentümer.

14 Glossar

- Bluetooth** ist eine Funktechnologie zur Verbindung von Geräten wie Handys und Headsets ohne den Einsatz von Kabeln oder Leitungen über eine kurze Entfernung (ca. 10 m). Weitere Informationen erhalten Sie unter www.bluetooth.com.
- Bluetooth-Profil** sind verschiedene Möglichkeiten, mit deren Bluetooth-Geräte mit anderen Geräten kommunizieren. Bluetooth-Telefone unterstützen entweder das Headset-Profil, das Freihand-Profil oder beide. Zur Unterstützung eines bestimmten Profils muss ein Handy-Hersteller bestimmte erforderliche Merkmale in der Software des Handys implementieren.
- Pairing** erzeugt eine einzelne und verschlüsselte Verbindung zwischen zwei Bluetooth-Geräten und lässt sie miteinander kommunizieren. Bluetooth-Geräte funktionieren nicht miteinander, wenn vorher kein Pairing durchgeführt wurde.
- Schlüssel oder PIN** ist ein Code, den Sie an Ihrem Handy eingeben, um ein Pairing mit Ihrem Jabra JX10 cara durchzuführen. Dadurch erkennen sich Ihr Telefon und das Jabra JX10 cara automatisch und funktionieren zusammen.
- Standby-Betrieb** liegt dann vor, wenn das Jabra JX10 cara in passivem Zustand auf einen Anruf wartet. Wenn Sie nach einem Gespräch an Ihrem Handy „auflegen“, geht das Headset in den Standby-Betrieb.



Entsorgen Sie das Produkt gemäß den lokalen Normen und Bestimmungen.

www.jabra.com/weee

GB

F

DE

IT

NL

ES

DK

SU

SE

NO

PT

GR

Italiano

Grazie	40
Informazioni su Jabra JX10 cara	41
Utilizzo dell'auricolare	42
INFORMAZIONI PRELIMINARI	42
Caricamento dell'auricolare	42
Accensione e spegnimento dell'auricolare	43
Connessione dell'auricolare con il telefonino	43
Indossatelo come volete	43
Istruzioni per eseguire le operazioni	44
Significato delle spie luminose	45
Utilizzo di Jabra JX10 cara con due telefoni cellulari	45
Uso di Hub Bluetooth Jabra	45
Localizzazione guasti e FAQ (domande frequenti)	46
Avete bisogno di ulteriori informazioni?	46
Manutenzione della cuffia auricolare	46
Informazioni su assistenza e garanzia	47
Certificazione e approvazioni sulla sicurezza	48
Glossario	49

GB

F

DE

IT

NL

ES

DK

SU

SE

NO

PT

GR

Grazie per aver acquistato la cuffia auricolare Jabra JX10 cara Bluetooth®. Speriamo il prodotto sia di vostro gradimento!

Il presente manuale di istruzioni vi consentirà di apprendere l'utilizzo della cuffia auricolare, consentendovi di ottenere i migliori risultati.

ATTENZIONE!

Le cuffie possono trasmettere il suono ad alto volume e toni molto acuti. L'esposizione a tali suoni può causare la perdita permanente dell'udito. Il livello del volume può variare in base alle diverse condizioni, come ad esempio il telefono che si sta utilizzando, le impostazioni del volume o di ricezione e dall'ambiente circostante. Leggere le informazioni sulla sicurezza prima di utilizzare le cuffie.

Informazioni sulla sicurezza

1. Prima di utilizzare il prodotto effettuare le seguenti operazioni:

- Prima di indossare le cuffie, impostare il volume al livello più basso.
- Indossare le cuffie.
- Regolare lentamente il volume portandolo ad un livello confortevole.

2. Durante l'utilizzo del prodotto

- Tenere il volume al livello minimo evitando di utilizzare le cuffie in ambienti rumorosi, in cui si è costretti ad alzare il volume.
- Se è necessario alzare il volume, effettuare la regolazione lentamente;
- e
- Se si avverte un fastidio o un ronzio all'orecchio, smettere immediatamente di utilizzare la cuffia e consultare un medico.

L'utilizzo continuativo ad alto volume, l'orecchio potrebbe abituarsi a tale livello sonoro, il quale può provocare danni permanenti all'udito, senza rendersene conto.

L'utilizzo della cuffia quando si è alla guida di veicoli a motore, motocicli, natanti o biciclette può essere pericoloso e in alcune giurisdizioni tale utilizzo è considerato illegale. Controllare le legislazioni locali. Prestare la massima attenzione quando si utilizza la cuffia durante le attività che richiedono una completa attenzione. Quando si è impegnati in questo tipo di attività, togliere le cuffie dalla zona auricolare o spegnere le cuffie per evitare distrazioni e possibili incidenti o lesioni.

3. Tenere fuori dalla portata dei bambini:

I sacchetti di plastica utilizzate per imballare il prodotto e le sue parti non sono giocattoli per bambini. I sacchetti stessi e le piccole parti in essi contenute possono causare soffocamento se ingerite. Non smontare il prodotto da soli. Nessuno dei componenti interni può essere sostituito o riparato dall'utente.

Il prodotto può essere aperto soltanto da distributori o centri di assistenza autorizzati. Se per qualsiasi motivo fosse necessario sostituire una qualsiasi parte del prodotto, anche per la normale usura o per una rottura, contattare il proprio rivenditore.

Non esporre il prodotto alla pioggia o ad altri liquidi.

Smaltire il prodotto in conformità con le normative e gli standard locali vigenti.

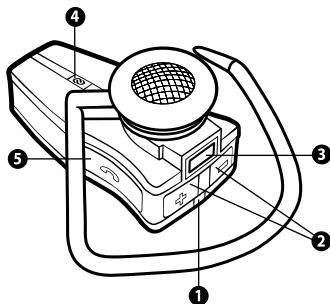
www.gnnetcom.com/weee

4. ACA TS028 – Accensione di atmosfere infiammabili

Non utilizzare l'auricolare in ambienti in cui sussista il pericolo di accensione di gas infiammabili.

Informazioni su Jabra JX10 cara

1. Spia del led
 - Blu indica la modalità (connessione, attivo o standby)
 - Rosso/verde indica il livello della batteria (scarica, in carica o carica)
2. Volume su (+), volume giù (-)
3. Presa del caricabatteria
4. Tasto connessione – **premete** per impostare l'auricolare sulla modalità connessione
5. Tasto risposta/fine
 - **Premete** per accendere l'auricolare (una spia blu lampeggiante indica che l'operazione è avvenuta)
 - **Tenete premuto** per spegnere l'auricolare (una spia blu lampeggiante indica che l'operazione è avvenuta)
 - **Premete leggermente** per rispondere o terminare una chiamata



Utilizzo dell'auricolare

Jabra JX10 cara vi consente di fare molte cose (a seconda se il vostro telefonino contempla le funzioni descritte):

- Rispondere alle chiamate
- Terminare le chiamate
- Rifiutare le chiamate*
- Effettuare chiamate vocali*
- Richiamare l'ultimo numero digitato*
- Servizio di "call waiting" (informazione sulle chiamate entranti)*
- Mettere in attesa le chiamate*

* A seconda del telefono

Caratteristiche tecniche

- Fino a 6 ore di conversazione e fino a 200 ore in standby
- Batteria ricaricabile con l'opzione di carica da alimentatore CA, da PC tramite cavo USB, da caricabatteria desktop o caricabatteria per automobile (non incluso).
- Meno di 17 grammi
- Range di funzionamento fino a 10 metri
- Profili Bluetooth per auricolare e vivavoce
- Caratteristiche tecniche Bluetooth (vedere **glossario**) versione 1.2

INFORMAZIONI PRELIMINARI

Il funzionamento di Jabra JX10 cara è molto semplice. Il tasto risposta/fine sull'auricolare esegue diverse funzioni a seconda di come viene premuto.

Istruzioni	Durata della pressione:
Premere leggermente	Pressione veloce
Premere leggermente per due volte	2 pressioni veloci
Premere	Circa 1 secondo
Tenere premuto	Circa 2-3 secondi

1 Caricamento dell'auricolare

Prima di utilizzare Jabra JX10 cara assicuratevi che sia completamente carico. Utilizzate l'adattatore CA per effettuare la carica da una presa di corrente oppure caricate il dispositivo direttamente dal PC con il cavo USB in dotazione o con la presa dell'accendisigari dell'auto (vedi fig. 3). Collegate l'auricolare come illustrato nella fig. 2. Quando il led è rosso, l'auricolare è in carica.

Quando il led è verde, la carica è completata.

Ricarica dal supporto

Collegate il cavo USB/l'adattatore CA al supporto. Posizionate il JX10 cara nell'alloggiamento come illustrato nella fig. 3

Nota: la durata della batteria sarà notevolmente ridotta se il dispositivo non viene caricato per un lungo periodo. Vi consigliamo pertanto di ricaricare il dispositivo almeno una volta al mese.


2 Accensione e spegnimento dell'auricolare

- Per accendere l'auricolare **premete** il tasto risposta/fine.
- Per spegnere l'auricolare **tenete premuto** il tasto risposta/fine.

3 Connessione dell'auricolare con il telefonino

Prima di utilizzare Jabra JX10 cara, collegatelo al telefonino.

1. Impostate l'auricolare in modalità di connessione

- Accertatevi che l'auricolare sia acceso.
- **Premete** il tasto di connessione contrassegnato .

2. Impostate il telefonino Bluetooth in modo da 'individuare' Jabra JX10 cara

Seguite le istruzioni fornite dal telefonino. Di solito queste suggeriscono di aprire il menu di "impostazioni", quindi quello delle "connettività" o "Bluetooth" **sul telefonino** e selezionare l'opzione di "individuazione" o di "aggiunta" di un dispositivo Bluetooth * (*vedere esempio di un comune telefonino nella fig. 6*).

3. Il telefonino rileverà Jabra JX10 cara

Ora è possibile connettere l'auricolare al telefonino. Per accettare, premete "Yes" oppure "OK" sul telefonino e confermate con la **password o PIN = 0000 (4 zeri)**.

Viene ora visualizzato un messaggio di conferma della connessione. Se non riuscite ad effettuare la connessione, ripetete le fasi da 1 a 3.

4 Indossatelo come volete

Jabra JX10 cara è pronto per essere indossato sull'orecchio destro. Se preferite il sinistro, rimuovete delicatamente il gancio per l'orecchio e ruotatelo per adattarlo all'orecchio sinistro. (*Vedere la fig. 4*)

5 Istruzioni per eseguire le operazioni

Rispondere ad una chiamata

- Per rispondere ad una chiamata, **premete leggermente** il tasto risposta/fine sull'auricolare.

Terminare una chiamata

- Per terminare una chiamata in corso, premete leggermente il tasto risposta/fine.

Effettuare una chiamata

- Quando effettuate una chiamata dal telefonino, la chiamata verrà automaticamente trasferita (a seconda delle impostazioni del telefonino) all'auricolare. Se il vostro telefonino non prevede questa funzione, premete leggermente il tasto risposta/fine di Jabra JX10 cara per trasferire la chiamata all'auricolare.

Rifiutare una chiamata*

- Per rifiutare una chiamata in arrivo, **premete** il tasto risposta/fine quando il telefonino squilla. A seconda delle impostazioni del telefonino, la persona che vi ha chiamato sarà trasferita alla casella vocale oppure udirà un segnale di linea occupata.

Attivare la funzione di chiamata vocale*

- Premete il tasto risposta/fine. Per ottenere i risultati migliori, registrate il comando vocale con l'auricolare. Consultare il manuale di istruzioni del telefonino per ulteriori informazioni sull'utilizzo di questa funzione.

Richiamare l'ultimo numero*

- Premete leggermente per due volte il tasto di risposta/fine quando l'auricolare è acceso e non attivo.

Regolare l'audio e il volume

- Per regolare il volume **premete** il volume su o giù (+ o -). (*Vedere la fig. 1*)

Servizio di "call waiting" (informazione sulle chiamate entranti) e di attesa delle chiamate*

Questa funzione vi consente di mettere una chiamata in attesa durante una conversazione e di rispondere ad una chiamata entrante.

- Per mettere in attesa la chiamata in corso e rispondere alla chiamata entrante, **premete** una volta il tasto risposta/fine.
- Per passare da una chiamata all'altra, **premete** il tasto risposta/fine.
- Per terminare la chiamata in corso, **premete leggermente** il tasto risposta/fine.

* **Le funzioni contrassegnate con un asterisco (*) vengono eseguite a seconda se il vostro telefonino le prevede. Per ulteriori informazioni, consultate il manuale di istruzioni.**

6 Significato delle spie luminose

Cosa vedete	Cosa significa
Spia blu lampeggiante	Se lampeggia ogni secondo: chiamata in corso
Spia blu lampeggiante	Se lampeggia ogni tre secondi: in modalità standby
Spia rossa lampeggiante	La batteria è scarica
Spia rossa fissa	In carica
Spia verde fissa	Batteria completamente carica
Spia blu fissa	In modalità di connessione – vedere la sezione 3

7 Utilizzo di Jabra JX10 cara con due telefoni cellulari

Jabra JX10 cara è in grado di connettersi contemporaneamente a due telefoni cellulari. Questa caratteristica vi consente di utilizzare un solo auricolare per utilizzare entrambi i cellulari e per sfruttare le funzioni dell'auricolare descritte nella sezione 6.

Occorre comunque tenere presente che la funzione di ricomposizione dell'ultimo numero rifarà il numero dell'ultima chiamata in uscita, indipendentemente dal telefono cellulare che l'ha effettuata, e la funzione di chiamata vocale sarà attiva solo sull'ultimo telefono cellulare connesso.

8 Uso di Hub Bluetooth Jabra

Jabra JX10 cara può essere utilizzato in abbinamento con l'Hub Bluetooth Jabra (venduto separatamente). Ciò vi consentirà di utilizzare l'auricolare sia con i vostri telefoni cellulari sia con il vostro telefono d'ufficio.

Connettere Jabra JX10 cara con l'Hub Bluetooth Jabra

La procedura di connessione è leggermente diversa:

- Impostate Jabra JX10 cara in modalità di connessione.
- Impostate l'Hub Bluetooth Jabra in modalità di connessione.
- Posizionateli uno vicino all'altro. Per collegare i due prodotti Jabra non occorre un apposito codice pin. Consultate il manuale utente dell'Hub Bluetooth Jabra per maggiori informazioni su come connettere l'hub Bluetooth al vostro telefono fisso.

L'utilizzo di Jabra JX10 cara in abbinamento all'Hub Bluetooth Jabra è molto simile all'utilizzo dell'auricolare in abbinamento ad un solo telefono cellulare. L'unica differenza è riscontrabile nel trasferimento di una chiamata dal telefono d'ufficio all'auricolare.

Trasferimento di una chiamata sull'auricolare

- Premete leggermente il pulsante risposta/fine per trasferire una chiamata dal telefono d'ufficio all'auricolare mediante l'Hub Bluetooth Jabra.

È necessario possedere un sollevatore di cornetta automatico per consentire a Jabra JX10 cara di rispondere automaticamente alla chiamata diretta al telefono d'ufficio.

GB

F

9 Localizzazione guasti e FAQ (domande frequenti)

DE

Localizzazione guasti e FAQ (domande frequenti) Sento delle interferenze

A garanzia della migliore qualità audio, portare sempre la cuffia auricolare sullo stesso lato del corpo dove è posizionato il cellulare.

IT

NL

Non riesco a sentire nulla dalla cuffia auricolare

- Aumentare il volume sulla cuffia auricolare.
- Verificare che la cuffia auricolare sia accoppiata al telefono.
- Verificare che il telefono sia collegato alla cuffia auricolare - in caso contrario collegarlo dal menu Bluetooth del telefono o sfiorando il tasto rispondi/termina dopo la procedura di pairing (**vedi paragrafo 3**).

ES

DK

SU

SE

Ho problemi di pairing anche se il telefono non li segnala

È probabile che il collegamento pairing alla cuffia auricolare sia stato annullato sul cellulare. Attenersi alle istruzioni per il pairing riportate al paragrafo 3.

NO

PT

GR

Jabra JX10 cara funziona con altri apparecchi Bluetooth?

Jabra JX10 cara è stato progettato per funzionare con i cellulari Bluetooth. Può anche funzionare con altri dispositivi Bluetooth conformi a Bluetooth versione 1.1 o 1.2 e supportare profili con cuffia auricolare e/o viva-voce.

Non riesco a utilizzare le funzioni Rifiuto chiamata, chiamata in attesa, richiama o viva voce

Queste funzioni dipendono dal tipo di telefono. Per maggiori informazioni, verificare il manuale del telefono.

10 Avete bisogno di ulteriori informazioni?

Per maggiori dettagli, consultate la copertina interna

11 Manutenzione della cuffia auricolare

- Depositare sempre la cuffia auricolare Jabra JX10 cara disattivata e adeguatamente protetta.
- Evitare di depositarla in ambienti a condizioni di temperatura estreme (superiori a 45°C/113°F – inclusa la luce solare diretta – o inferiori a -10°C/14°F). Quanto sopra potrebbe ridurre la durata della batteria e influenzare negativamente il funzionamento. Inoltre, le temperature elevate potrebbero ridurre le performance.
- Non esporre Jabra JX10 cara alla pioggia o ad altri liquidi.

12 Informazioni su assistenza e garanzia

Garanzia limitata di due (2) anni

GN Netcom AS ("GN") garantisce che il presente prodotto è privo di difetti di materiale e di lavorazione (in base ai termini sottoindicati) per un periodo di due (2) anni dalla data di acquisto ("Periodo di garanzia"). Durante questo periodo, GN si impegna a riparare o sostituire (a discrezione di GN) il presente prodotto o qualsiasi parte difettosa ("Servizio di garanzia"). Qualora la riparazione o la sostituzione non siano commercialmente attuabili o non possano essere realizzate tempestivamente, GN potrà decidere di rimborsare il prezzo di acquisto pagato per il prodotto difettoso. La riparazione o la sostituzione ai sensi di questa garanzia non dà diritto a qualsivoglia estensione o ad un nuovo inizio del periodo di garanzia.

Diritti di garanzia

Per usufruire del servizio di garanzia, contattare il rivenditore GN dal quale è stato acquistato il prodotto o visitare il sito all'indirizzo www.gnnetcom.com o www.jabra.com per ulteriori informazioni sull'assistenza clienti.

Il cliente dovrà restituire questo prodotto al rivenditore o spedirlo al rivenditore o a GN (se indicato su www.gnnetcom.com o www.jabra.com) nella confezione originale o in un imballo in grado di fornire lo stesso grado di protezione.

I costi della spedizione del prodotto a GN sono a carico del cliente. Se il prodotto è in garanzia, GN si farà carico dei costi di spedizione del prodotto al cliente al termine del servizio di garanzia. I costi per la spedizione di ritorno saranno addebitati al cliente in caso di prodotti non coperti da garanzia o che richiedono riparazioni escluse dai termini di garanzia.

Per usufruire del servizio di garanzia è necessario presentare quanto indicato di seguito: (a) il prodotto e la prova di acquisto (b) contenente il nome e l'indirizzo del venditore, la data di acquisto e il tipo di prodotto a indicare chiaramente che il prodotto è ancora coperto dalla garanzia. Indicare anche l'indirizzo a cui rispedire il prodotto (c), (d) un numero telefonico raggiungibile e (e) il motivo della restituzione.

Tenendo presente l'obiettivo di GN/Jabra di ridurre l'impatto ambientale, si precisa che il prodotto potrebbe essere realizzato con apparecchiature ricondizionate contenenti componenti usati, alcuni dei quali sono stati sottoposti a nuova lavorazione. I componenti usati soddisfano gli standard elevati di qualità GN/Jabra e sono conformi alle qualità di prodotto e alle specifiche di affidabilità GN. Le parti o i componenti sostituiti diventano proprietà di GN.

Limitazione della garanzia

La presente garanzia è valida esclusivamente per l'acquirente originale e terminerà automaticamente prima della scadenza se il prodotto viene venduto o trasferito a terzi. La garanzia fornita da GN si applica solo a prodotti acquistati per uso personale e non per scopi di rivendita. Questa garanzia non si applica ad acquisti a scatola aperta che vengono venduti con clausola "as is", ossia "così come sono" e senza alcuna garanzia.

Sono specificamente esenti da garanzia i componenti consumabili di durata limitata soggetti al normale deterioramento, quali la copertura del microfono, i cuscinetti degli auricolari, le spine modulari, le spugne per gli auricolari, finiture decorative, le batterie e altri accessori.

GB

Questa garanzia non è valida se il numero di serie applicato in fabbrica, l'etichetta con il codice data o l'etichetta del prodotto vengono alterati o rimossi dal prodotto.

F

Questa garanzia non copre danni estetici o danni dovuti a cattivo uso, abuso, negligenza, eventi naturali, incidenti, smontaggio o modifica del prodotto o di una qualsiasi sua parte. Questa garanzia non copre i danni dovuti a utilizzo, manutenzione o installazione impropri o a tentativi di riparazione effettuati da persone che non siano GN o rivenditori GN autorizzati a prestare i servizi di garanzia GN. Qualsiasi riparazione non autorizzata renderà nulla questa garanzia.

IT

NL

RIPARAZIONI O SOSTITUZIONI, COME DISPOSTO DALLA PRESENTE GARANZIA, SONO L'UNICO ED ESCLUSIVO RIMEDIO DEL CONSUMATORE. GN NON POTRÀ ESSERE RITENUTA RESPONSABILE PER QUALSIVOGLIA DANNO INCIDENTALE O CONSEGUENZIALE LEGATO AL MANCATO RISPETTO DI QUALSIVOGLIA GARANZIA ESPRESSA O IMPLICITA APPLICABILE SUL PRESENTE PRODOTTO. TRANNE CHE NEI CASI VIETATI DALLA LEGGE, QUESTA GARANZIA È ESCLUSIVA E SOSTITUISCE QUALSIVOGLIA ALTRA GARANZIA ESPRESSA E IMPLICITA, INCLUSA MA NON LIMITATAMENTE LA GARANZIA DI COMMERCIALIZZABILITÀ, DI ADATTAMENTO A UN PARTICOLARE SCOPO.

ES

DK

SU

NOTA! Questa garanzia fornisce al cliente specifici diritti legali. A seconda dell'ubicazione del cliente i diritti possono variare. Alcune giurisdizioni non consentono l'esclusione o la limitazione di danni incidentali o consequenziali o garanzie implicite, pertanto le suddette esclusioni potrebbero non essere applicabili al vostro caso. Questa garanzia non pregiudica i diritti legali (obbligatori) del cliente stabiliti dalle leggi nazionali o locali applicabili.

SE

NO

PT

GR

13 Certificazione e approvazioni sulla sicurezza

CE

Questo prodotto è contrassegnato dal marchio CE in conformità con le disposizioni della Direttiva R & TTE (1999/5/CE).

Con ciò, GN Netcom dichiara che questo prodotto è conforme ai requisiti essenziali e ad altre rilevanti disposizioni previste dalla Direttiva 1999/5/CE.

Per ulteriori informazioni, visitare il sito <http://www.jabra.com>

All'interno dell'Unione Europea, questo dispositivo può essere utilizzato in Austria, Belgio, Cipro, Repubblica Ceca, Danimarca, Estonia, Finlandia, Francia, Germania, Grecia, Ungheria, Irlanda, Italia, Lettonia, Lituania, Lussemburgo, Malta, Polonia, Portogallo, Slovacchia, Slovenia, Spagna, Svezia, Paesi Bassi, Regno Unito e all'interno dei Paesi dell'EFTA in Islanda, Norvegia e Svizzera.

Bluetooth

Il marchio e i logo *Bluetooth*[®] sono di proprietà di Bluetooth SIG, Inc. e tali marchi vengono utilizzati da GN Netcom su licenza. Altri marchi e nomi commerciali appartengono ai rispettivi proprietari.

14 Glossario

- 1 Bluetooth** è una tecnologia radio che consente il collegamento di dispositivi, quali cellulari e cuffie auricolari, senza necessità di cavi o fili entro una breve distanza (circa 30 piedi). Per maggiori informazioni, consultare il sito www.bluetooth.com.
- 2 I profili Bluetooth** corrispondono ai diversi modi in cui i dispositivi Bluetooth comunicano con altri dispositivi. I telefoni Bluetooth supportano sia il profilo con cuffia auricolare, sia con viva-voce o entrambi. Al fine di supportare un determinato profilo, è necessario che il produttore del telefono implementi determinate funzioni obbligatori nell'ambito del software del telefono.
- 3 Pairing** consente di creare un collegamento unico e cifrato tra due dispositivi Bluetooth, consentendone la comunicazione reciproca. I dispositivi Bluetooth non potranno funzionare nel caso in cui i dispositivi non siano accoppiati.
- 4 Chiave d'accesso o PIN** corrisponde a un codice da immettere sul cellulare per accoppiarlo alla cuffia auricolare Jabra JX10 cara. Ciò consentirà il riconoscimento reciproco di cellulare e cuffia auricolare Jabra JX10 cara, consentendone un funzionamento contemporaneo automatico.
- 5 Modalità standby** corrisponde alla modalità in cui Jabra JX10 cara è passivamente in attesa di una chiamata call. Terminando una chiamata sul cellulare, la cuffia auricolare si posizionerà in modalità di standby.



Lo smaltimento del prodotto deve avvenire conformemente agli standard e alle normative locali. www.jabra.com/weee

GB

F

DE

IT

NL

ES

DK

SU

SE

NO

PT

GR

Nederlands

Bedankt.....	52
Over uw Jabra JX10 cara.....	53
Wat uw headset allemaal kan doen.....	54
AAN DE SLAG.....	54
Uw headset opladen.....	54
Uw headset in- en uitschakelen.....	55
Met uw telefoon paren.....	55
Dragen zoals u dat wilt.....	55
Hoe moet ik.....	56
Wat de lampjes betekenen.....	57
De Jabra JX10 cara in combinatie met twee mobiele telefoons gebruiken.....	57
Een Jabra Bluetooth Hub gebruiken voor gebruik met uw vaste telefoon.....	57
Foutopsporing en FAQ.....	58
Meer hulp nodig?.....	58
Uw headset in goede staat houden.....	58
Informatie over Onderhoud en Garantie.....	59
Certificatie en veiligheidskeurmerken.....	60
Woordenlijst.....	61

GB

F

DE

IT

NL

ES

DK

SU

SE

NO

PT

GR

Bedankt

Bedankt voor het kopen van onze Jabra JX10 cara Bluetooth® Headset. We hopen dat hij u zal bevalen!

Deze gebruikershandleiding zal u op weg helpen om de mogelijkheden van uw headset ten volle te benutten.

WAAARSCHUWING!

Headsets kunnen geluid afgeven met een hoog volume en hoge tonen. Blootstelling aan dergelijke geluiden kan leiden tot blijvend gehoorverlies. Het volume kan variëren op basis van de omstandigheden, zoals de telefoon die u gebruikt, de ontvangst en de volume-instellingen daarvan en de omgeving. Lees de onderstaande veiligheidsrichtlijnen goed door voordat u deze headset gebruikt.

Veiligheidsrichtlijnen

1. Doorloop de volgende stappen voordat u dit product gebruikt:

- Draai vóór het opzetten van de headset de volumeknop naar het laagste niveau,
- zet de hoofdtelefoon op en draai dan
- volumeknop langzaam naar een aangenaam niveau.

2. Tijdens het gebruik van dit product

- Houd het volume zo laag mogelijk en vermijd het gebruik van de headset in lawaaierige omgevingen waar u snel geneigd bent om het volume hoger te zetten;
- Als een hoger volume nodig is, stelt u de volumeknop langzaam in en
- Bij een onaangenaam gevoel of een suizend geluid in uw oren stopt u direct met het gebruik van de headset. Raadpleeg een arts.

Bij langdurig gebruik met een hoog volume kunnen uw oren gewend raken aan het geluidsniveau. Dit kan leiden tot blijvende gehoorschade zonder dat u hier iets van voelt

Het gebruik van de headset tijdens het besturen van een motorvoertuig, motorfiets, vaartuig of fiets kan gevaarlijk zijn en is in sommige landen verboden. Let op de lokaal van toepassing zijnde wetgeving. Wees voorzichtig met het gebruik van uw headset bij activiteiten die uw volledige aandacht vereisen. Haal bij dergelijke activiteiten de headset uit de buurt van uw oren of schakel uw headset uit, zodat u niet afgeleid raakt en zodat ongevallen of letsels voorkomen.

3. Buiten bereik van kinderen houden:

De plastic tassen waarin het product en de onderdelen verpakt zijn, zijn geen speelgoed voor kinderen. De tassen zelf of de vele kleine onderdelen die erin zitten vormen verstikkingsgevaar als deze worden ingeslikt. Probeer het product nooit zelf uit elkaar te halen. Geen van de interne onderdelen kunnen vervangen of gerepareerd worden door gebruikers.

Alleen geautoriseerde dealers of onderhoudscentra mogen het product openen. Als onderdelen van uw product om welke reden dan ook vervangen moeten worden, inclusief normale slijtage of stukgaan, neemt u contact op met uw dealer.

Stel het product niet bloot aan regen of andere vloeistoffen.

Het afdanken van het product dient te geschieden in overeenstemming met de plaatselijk geldende normen en wet- en regelgeving.

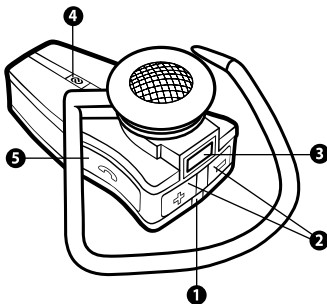
www.gnnetcom.com/weee

4. ACA TS028 – Ontbranding of ontvlambare atmosferen

Gebruik de hoofdtelefoon niet in omgevingen waar een gevaar tot ontbranding van brandbare gassen bestaat.

Over uw Jabra JX10 cara

1. LED-lampje
 - Blauw geeft de modus aan (paren, actief of stand-by)
 - Rood/groen geeft het batterijniveau aan (laag, opladen of opgeladen)
2. Volume omhoog (+), volume omlaag (-)
3. Oplaadaansluiting
4. Paartoets – **drukken** om headset in paarmodus te zetten
5. Toets beantwoorden/beëindigen
 - **Indrukken** om headset in te schakelen (blauwe knippering geeft aan dat het gelukt is)
 - **Ingedrukt houden** om headset uit te schakelen (blauwe knippering geeft aan dat het gelukt is)
 - **Aanraken** om een gesprek te beantwoorden of te beëindigen



Wat uw headset allemaal kan doen...

Met uw Jabra JX10 cara is dit allemaal mogelijk (afhankelijk van of uw telefoon de functie ondersteunt):

- Gesprekken beantwoorden
- Gesprekken beëindigen
- Gesprekken weigeren*
- Voice dialing*
- Laatste nummer herhalen*
- Call-waiting*
- Gesprek in de wacht zetten*

*** Afhankelijk van type telefoon**

Specificaties

- Tot 6 uur gesprekstijd en tot 200 uur stand-by
- Oplaadbare batterij met laadmogelijkheid voor AC-voeding, pc via USB-kabel, desktop-lader of autolader (niet bijgeleverd)
- Minder dan 17 gram
- Bereik maximaal 10 meter
- Headset en handsfree Bluetooth profielen
- Bluetooth specificatie (zie **woordenlijst**) versie 1.2

AAN DE SLAG

De Jabra JX10 cara is eenvoudig te bedienen. De toets beantwoorden/beëindigen op de headset voert verschillende functies uit, afhankelijk van hoe lang u erop drukt.

Instructie	Tijd dat de knop wordt ingedrukt:
Aanraken	Kort indrukken
Twee keer aanraken	2 keer snel achter elkaar aanraken
Drukken	Ong. 1 seconde
Ingedrukt houden	Ong. 2-3 seconden

1 Uw headset opladen

Zorg ervoor dat uw Jabra JX10 cara headset volledig is opgeladen voordat u deze gaat gebruiken. Gebruik de AC-adapter om vanaf een stopcontact op te laden, of laad rechtstreeks op vanaf uw pc met de meegeleverde USB-kabel, of via uw autolader – zie figuur 3. Sluit uw headset aan zoals weergegeven in figuur 2. Als het indicatielampje onafgebroken rood brandt, laadt uw headset op. Als het LED-lampje groen is, is deze volledig opgeladen.

Opladen vanaf uw desktophouder

Sluit uw USB-kabel/AC-adapter aan op de desktophouder. Plaats uw JX10 cara in de desktophouder zoals weergegeven in figuur 3.

Let op: de levensduur van de batterij wordt aanzienlijke verkort als u uw apparaat gedurende langere tijd niet oplaadt. We raden u daarom aan uw apparaat ten minste één keer per maand op te laden.


2 Uw headset in- en uitschakelen

- **Druk** op de toets beantwoorden/beëindigen om uw headset in te schakelen.
- **Houd** de toets beantwoorden/beëindigen **ingedrukt** om uw headset uit te schakelen.

3 Met uw telefoon paren

Voordat u uw Jabra JX10 cara gebruikt, moet u deze met uw mobiele telefoon paren.

1. Zet de headset in de paarmodus

- **Zorg** dat de headset aan is.
- **Druk** op de paartoets die gemarkeerd is met .

2. Stel uw Bluetooth telefoon in om de Jabra JX10 cara te 'ontdekken'

Volg de handleiding van uw telefoon. Meestal gaat het om de volgende menu's **van uw telefoon**: 'instellen', 'aansluiten' of 'Bluetooth'. Vervolgens selecteert u de optie om een Bluetooth apparaat te 'ontdekken'. * (*Zie voorbeeld van een standaard mobiele telefoon in fig. 6.*)

3. Uw telefoon vindt de Jabra JX10 cara

Uw telefoon vraagt vervolgens of u wilt paren. Accepteren door op 'Ja' of 'OK' op de telefoon te drukken en bevestigen met het **wachtwoord of PIN = 0000 (4 nullen)**.

Uw telefoon bevestigt zodra het paren voltooid is. Als het paren is mislukt, moet u de stappen 1 tot 3 herhalen.

4 Dragen zoals u dat wilt

De Jabra JX10 cara is klaar om op het rechteroor gedragen te worden. Als u deze liever op het linkeroor draagt, moet u de oorhaak verwijderen en draaien voor het linkeroor. (*Zie fig. 4.*)

GB

F

5 Hoe moet ik...

DE

Een gesprek beantwoorden

- Raak de toets beantwoorden/beëindigen op uw headset **aan** om een gesprek te beantwoorden.

IT

Een gesprek beëindigen

NL

- Raak de toets beantwoorden/beëindigen **aan** om een actief gesprek te beëindigen.

ES

Een gesprek voeren

DK

- Als u een gesprek vanaf uw mobiele telefoon voert, wordt het gesprek (afhankelijk van de telefooninstellingen) automatisch overgezet naar uw headset. Als uw telefoon dit niet toestaat, raakt u de toets beantwoorden/beëindigen van de Jabra JX10 cara aan om het gesprek naar de headset over te zetten.

SU

SE

Een gesprek weigeren*

NO

- Druk als de telefoon gaat op de toets beantwoorden/beëindigen om een binnenkomend gesprek te weigeren. Afhankelijk van uw telefooninstellingen wordt de persoon die belt naar uw voice mail doorgeschakeld of hoort hij een in-gespreksignaal.

PT

Voice dialing activeren*

GR

- Druk op de toets beantwoorden/beëindigen. Voor het beste resultaat neemt u de voice dialing tag via uw headset op. Raadpleeg de handleiding van uw telefoon voor meer informatie.

Laatste nummer herhalen*

- Raak de toets beantwoorden/beëindigen op uw headset twee keer aan als de headset aan staat en niet gebruikt wordt.

Geluid en volume aanpassen

- Druk op volume omhoog of omlaag (+ of -) om het volume aan te passen. (**Zie fig. 1**).

Call-waiting en een gesprek in de wacht zetten*

Hiermee kunt u een gesprek in de wacht zetten en een wachtend gesprek beantwoorden.

- Druk eenmaal op de toets beantwoorden/beëindigen om het actieve gesprek in de wacht te zetten en het wachtende gesprek te beantwoorden.
- Druk op de toets beantwoorden/beëindigen om tussen de twee gesprekken te wisselen.
- Raak de toets beantwoorden/beëindigen **aan** om het actieve gesprek te beëindigen.

* Functies gemarkeerd met een * zijn afhankelijk van of uw telefoon deze functies ondersteunt. Raadpleeg de gebruikershandleiding van uw telefoon voor meer informatie.

6 Wat de lampjes betekenen

Wat u ziet	Wat dit betekent voor uw headset
Blauw knipperlicht	Knippert elke seconde: in gesprek
Blauw knipperlicht	Knippert elke drie seconden: in stand-by modus
Rood knipperlicht	Batterijniveau laag
Rood licht	Opladen
Groen licht	Volledig opgeladen
Blauw licht	In pai ring modus – zie hoofdstuk 3

7 De Jabra JX10 cara in combinatie met twee mobiele telefoons gebruiken

Het is mogelijk om twee mobiele telefoons tegelijkertijd op uw Jabra JX10 cara aan te sluiten. Dit stelt u in staat om met slechts één headset twee mobiele telefoons te bedienen.

Houd er echter wel rekening mee dat de functie laatste nummer herhalen, onafhankelijk van de mobiele telefoons, het nummer van de laatste uitgaande oproep herhaalt en dat de functie voice dialing alleen functioneert voor de laatst gepaarde mobiele telefoon.

8 Een Jabra Bluetooth Hub gebruiken voor gebruik met uw vaste telefoon

De Jabra JX10 cara kan worden gebruikt in combinatie met de Jabra Bluetooth Hub (wordt apart verkocht). Dit stelt u in staat om de headset zowel met uw mobiele telefoon als met uw vaste telefoon te gebruiken.

De Jabra JX10 cara met de Jabra Bluetooth Hub paren

Het pairproces wijkt enigszins af:

- Zet uw Jabra JX10 cara in de pairmodus.
- Zet de Jabra Bluetooth Hub in de pairmodus.
- Plaats ze dicht bij elkaar. U heeft geen speciale pincode nodig om de twee Jabra-producten te paren. Raadpleeg de handleiding van de Jabra Bluetooth Hub voor meer informatie over het aansluiten van de Bluetooth Hub op uw vaste telefoon.

Het gebruik van de Jabra JX10 cara in combinatie met de Jabra Bluetooth Hub komt grotendeels overeen met het gebruik van de headset met een mobiele telefoon. Het enige verschil is het doorschakelen van een gesprek van de vaste telefoon naar de headset.

Doorschakelen van een gesprek naar de headset

- Raak de toets beantwoorden/beëindigen aan om het gesprek door te schakelen van de vaste telefoon naar de headset via de Jabra Bluetooth Hub.

Voor het beantwoorden van een gesprek op de vaste telefoon hebt u een handsetlifter nodig om ervoor te zorgen dat de Jabra JX10 cara het gesprek automatisch beantwoordt.

GB

F

9 Foutopsporing en FAQ

DE

Ik hoor krakende geluiden

Voor de beste geluidskwaliteit draagt u uw headset en uw mobiele telefoon best altijd aan dezelfde kant van uw lichaam.

IT

NL

Ik hoor niets door mijn headset

- Verhoog het volume van de headset.
- Controleer of de headset gekoppeld is aan uw telefoon ('pairing').
- Zorg ervoor dat de telefoon is verbonden met de headset – als er geen verbinding tot stand komt via het Bluetooth menu van de telefoon of wanneer u kort op de aannemen/beëindigen knop drukt, volg dan de 'pairing' procedure (**Zie hoofdstuk 3**).

ES

DK

SU

Ik heb problemen bij de pairing, ook al geeft mijn telefoon aan dat alles in orde is.

U heeft mogelijk de headset pairing verbinding verwijderd in uw mobiele telefoon. Volg de pairing instructies in hoofdstuk 3.

SE

NO

Werkt de Jabra JX10 cara met andere Bluetooth apparatuur?

De Jabra JX10 cara is bedoeld om te worden gebruikt met Bluetooth telefoons. Hij werkt ook met andere Bluetooth toestellen die Bluetooth 1.1 of 1.2 ondersteunen en compatibel zijn met een headset en/of handsfree profiel.

PT

GR

De functies Gesprek Weigeren, Gesprek in Wachtstand, Herhaling Laatste Nummer of Voice Dialing zijn niet beschikbaar

Deze functies zijn enkel beschikbaar indien ze worden ondersteund door uw toestel. Raadpleeg de handleiding van uw toestel voor meer informatie.

10 Meer hulp nodig?

Zie de omslag aan de binnenkant voor details.

11 Uw headset in goede staat houden

- Berg de Jabra JX10 cara altijd op een veilige plek op en schakel hem steeds uit.
- Berg hem nooit op onder extreme temperaturen (hoger dan 45°C – inclusief rechtstreeks zonlicht – of lager dan -10°C). Dit kan de levensduur van de batterij verkorten en de goede werking ervan beïnvloeden. Hoge temperaturen kunnen ook een negatieve invloed hebben op de prestaties van uw headset.
- Stel de Jabra JX10 cara niet bloot aan regen of andere vloeistoffen.

12 Informatie over Onderhoud en Garantie

Beperkte garantie van twee jaar

GN Netcom AS ("GN"), garandeert dat dit product gedurende een periode van twee (2) jaar na aankoopdatum ("Garantieperiode") vrij van materiaaldefecten functioneert en vakkundig is vervaardigd (met inachtneming van de hieronder vermelde voorwaarden). Gedurende de Garantieperiode draagt GN zorg voor de reparatie of vervanging (een en ander ter beoordeling van GN zelf) van dit product dan wel van de defecte onderdelen ("Garantieonderhoud"). Indien reparatie of vervanging vanuit commercieel oogpunt niet haalbaar is of als dit niet tijdig gerealiseerd kan worden, kan GN u een vergoeding betalen ter hoogte van de aankoop prijs van het betreffende product. Reparatie of vervanging geeft onder de bepalingen van deze garantie geen recht op enigerlei uitbreiding of een hernieuwde aanvang van de garantieperiode.

Claims onder de Garantie

Om in aanmerking te komen voor Garantieonderhoud dient u contact op te nemen met de GN-dealer waar u het product hebt aangeschaft of surf u naar www.gnnetcom.com of www.jabra.com voor nadere informatie over onze klantenservice.

Het Product dient in de originele verpakking of in een verpakking die vergelijkbare bescherming biedt naar de dealer of naar GN (indien aangegeven op www.gennetcom.com of www.jabra.com) te worden geretourneerd of getransporteerd.

De kosten voor het transport van het product naar GN zijn voor uw rekening. Indien het Product onder de garantie valt, vergoedt GN u de transportkosten van het product nadat het uitgevoerde onderhoud onder garantie voltooid is. Transportkosten voor het naar u retourneren van producten die niet onder de garantie vallen dan wel van producten waarbij geen reparatie op basis van de garantie noodzakelijk bleek, zijn voor uw rekening.

Om in aanmerking te komen voor Garantieonderhoud dient de volgende informatie beschikbaar te worden gesteld: (a) het product en (b) het aankoopbewijs, met daarop duidelijk vermeld de naam en het adres van de verkoper, de datum van aankoop en de productsoort. Het aankoopbewijs geldt als bewijs dat het product binnen de Garantieperiode valt. Vermeld verder ook (c) uw retouradres, (d) uw telefoonnummer overdag en (e) de reden voor retourneren.

Omdat GN/Jabra zich inzet om milieuschadelijk afval te beperken, accepteert u hierbij dat het product mogelijk bestaat uit herstelde apparatuur met mogelijk gebruikte onderdelen die in sommige gevallen aangepast zijn. De gebruikte onderdelen zijn allemaal conform de hoge kwaliteitsnormen die binnen GN/Jabra gelden en voldoen aan alle specificaties van GN ten aanzien van productprestaties en betrouwbaarheid. U accepteert bovendien dat de vervangen onderdelen of componenten eigendom worden van GN.

Beperking van Garantie

Deze garantie is uitsluitend geldig voor de originele koper van het product en komt automatisch voor de vervaldatum van de garantie te vervallen indien het product wordt verkocht dan wel op enigerlei wijze aan derden wordt overgedragen. De garantie waarin GN door middel van deze verklaring voorziet is uitsluitend van toepassing op producten die zijn aangeschaft voor daadwerkelijk gebruik en niet voor (door)verkoop. De garantie is niet van toepassing op zgn. "open-box aankopen", die in "huidige staat" worden verkocht zonder enige vorm van garantie.

GB

Verbruiksonderdelen met een beperkte levensduur die onderhevig zijn aan normale slijtage, zoals windschermen voor microfoons, oorkussentjes, modulaire stekkers, oordopjes, sierkappen, batterijen en overige accessoires worden nadrukkelijk uitgesloten van garantie.

F

DE

Deze garantie is niet van toepassing indien het van fabriekswege aangebrachte serienummer, het datumcode-label of het productlabel zijn gewijzigd dan wel van het product zijn verwijderd.

IT

Cosmetische schade of schade als gevolg van verkeerd gebruik, misbruik, nalatigheid, natuurrampen, ongevallen, het uit elkaar halen van het product of het doorvoeren van aanpassingen aan het product of een onderdeel daarvan, vallen niet onder deze Garantie. Schade als gevolg van onjuist gebruik, onderhoud of

NL

installatie dan wel pogingen tot reparatie door anderen dan GN of een door GN gemachtigde GN-dealer om garantiewerkzaamheden uit te voeren vallen niet onder deze Garantie. Niet geautoriseerde reparaties maken deze garantie ongeldig.

ES

DK

REPARATIES OF VERVANGINGEN UITGEVOERD CONFORM DEZE GARANTIE ZIJN HET ENIGE RECHTSMIDDEL DAT DE CONSUMENT TER BESCHIKING HEEFT. GN IS NIET AANSPRAKELIJK VOOR INCIDENTELE OF GEVOLGSCHADE ALS GEVOLG VAN EEN OVERTREDING VAN EEN EXPLICIETE DAN WEL IMPLICIETE GARANTIE OP DIT PRODUCT.

SU

SE

VOOR ZOVER WETTELIJK TOEGESTAAN, GELDT DEZE GARANTIE ALS EEN EXCLUSIEVE GARANTIE DIE IN DE PLAATS TREET VAN ALLE ANDERE IMPLICIETE DAN WEL EXPLICIETE GARANTIES, MET INBEGRIEP VAN, MAAR NIET BEPERKT TOT, DE GARANTIE VAN VERKOOPBAARHEID EN GESCHIKTHEID VOOR EEN BEPAALD DOEL.

NO

PT

LET OP! Deze garantie voorziet u van specifieke wettelijke rechten. Het kan zijn dat u ook andere rechten hebt die per locatie kunnen verschillen. Sommige jurisdicties staan uitsluiting of beperking van incidentele of gevolgschade of geïmpliceerde garanties niet toe. Deze garantie heeft geen invloed op de rechten die u op grond van toepasselijke nationale of plaatselijke wet- en regelgeving hebt.

GR

13 Certificatie en veiligheidskeurmerken

CE

Este producto lleva la marca CE de acuerdo con las provisiones de la Directiva 1999/5/CE sobre RTTE.

Por el presente, GN Netcom declara que este producto cumple los requisitos esenciales y otras provisiones pertinentes de la Directiva 1999/5/CE.

Para más información por favor consulte <http://www.jabra.com>

Dentro de la UE, este dispositivo está destinado para su uso en Austria, Bélgica, Chipre, República Checa, Dinamarca, Estonia, Finlandia, Francia, Alemania, Grecia, Hungría, Irlanda, Italia, Letonia, Lituania, Luxemburgo, Malta, Polonia, Portugal, Eslovaquia, Eslovenia, España, Suecia, Países Bajos, Reino Unido y en los países de la AELC en Islandia, Noruega y Suiza.

Bluetooth

La marca literal y los logotipos *Bluetooth*® son propiedad de Bluetooth SIG, Inc. y cualquier uso de dichas marcas por GN Netcom se hace bajo licencia. Otras marcas y nombres comerciales son propiedad de sus respectivos titulares.

14 Woordenlijst

- Bluetooth** is een radiotechnologie waarmee toestellen zoals mobiele telefoons en headsets zonder draden of kabels over een korte afstand (zo'n 10m) met elkaar kunnen verbonden worden. Surf naar www.bluetooth.com voor meer informatie.
- Bluetooth profielen** zijn de verschillende manieren waarop Bluetooth toestellen communiceren met andere toestellen. Bluetooth telefoons ondersteunen het headset profiel, het handsfree profiel of beide profielen. Om een bepaald profiel te ondersteunen, moet de fabrikant van de telefoon bepaalde functies integreren in de software van de telefoon.
- Pairing** brengt een unieke en beveiligde verbinding tot stand tussen twee Bluetooth toestellen en zorgt ervoor dat ze met elkaar kunnen communiceren. Bluetooth toestellen zullen niet kunnen communiceren wanneer ze niet eerst zijn gekoppeld ('pairing').
- Sleutelcode of PIN** is een code die u op uw mobiele telefoon invoert om hem te koppelen aan uw Jabra JX10 cara. Hierdoor gaan uw telefoon en de Jabra JX10 cara elkaar herkennen en automatisch samenwerken.
- Stand-by modus** is wanneer de Jabra JX10 cara passief wacht op een gesprek. Wanneer u een gesprek op uw mobiele telefoon beëindigt, schakelt de headset automatisch over op de stand-by modus.

GB

F

DE

IT

NL

ES

DK

SU

SE

NO

PT

GR



Het afdanken van het product dient te geschieden in overeenstemming met de plaatselijk geldende normen en wet- en regelgeving. www.jabra.com/weee

GB

F

DE

IT

NL

ES

DK

SU

SE

NO

PT

GR

Español

Gracias.....	64
Acerca del microcasco Jabra JX10 cara	65
Funciones de su microcasco	66
PARA COMENZAR.....	66
Carga de su auricular	66
Encendido y apagado del microcasco.....	67
Sincronización con su teléfono.....	67
Llévelo como más le guste	67
Cómo.....	68
Significado de las luces	69
Utilización del Jabra JX10 cara con dos teléfonos móviles	69
Utilización de un Hub Bluetooth Jabra	69
Determinación de problemas y preguntas frecuentes.....	70
¿Necesita más ayuda?	70
Cuidado del auricular.....	70
Información de servicio y de garantía	71
Certificación y aprobaciones de seguridad	72
Glosario.....	73

GB

F

DE

IT

NL

ES

DK

SU

SE

NO

PT

GR

Gracias

Gracias por adquirir el auricular Bluetooth® Jabra JX10 cara. Esperamos que lo disfrute.

Este manual de instrucciones le explicará cómo empezar a usarlo y cómo aprovechar al máximo su auricular.

AVISO

Los auriculares pueden reproducir sonidos a altos niveles y tonos de alta intensidad. La exposición a este tipo de sonidos puede causar pérdidas auditivas irreversibles. El nivel del volumen puede variar dependiendo de condiciones como el teléfono que esté usando, el entorno y la configuración de la recepción y del volumen. Lea las instrucciones de seguridad a continuación antes de usar este auricular.

Instrucciones de seguridad

1. Antes de usar este producto, siga los siguientes pasos:

- baje el volumen al mínimo, antes de colocarse los auriculares,
- póngase los auriculares y luego
- ajuste el volumen lentamente hasta un nivel adecuado.

2. Cuando use este producto

- Mantenga el volumen lo más bajo posible y evite el uso de los auriculares en entornos ruidosos donde se vea obligado a subir el volumen;
- Si fuera necesario subir el volumen, ajuste el control del volumen lentamente;
- y
- Si nota alguna molestia o pitidos en los oídos, deje de usar los auriculares inmediatamente y consulte a su médico.

El uso continuado del dispositivo a niveles altos puede provocar que sus oídos se acostumbren al nivel de sonido, lo que puede causar daños auditivos irreversibles sin que sienta molestias.

Usar los auriculares mientras conduce un vehículo motorizado, una motocicleta, una moto de agua o una bicicleta podría ser peligroso. Además es ilegal en algunos países. Revise la legislación local. Tenga cuidado mientras use los auriculares si debe realizar alguna actividad que requiera atención total. Mientras la esté realizando, retire los auriculares de la oreja o desconéctelos para evitar distracciones y los consiguientes accidentes o daños.

3. Manténgalo fuera del alcance de los niños:

Las bolsas de plástico que se utilizan para el embalaje del producto y sus componentes no son juguetes. Las propias bolsas o las numerosas piezas pequeñas que contienen podrían provocar asfixia si se ingiriesen. No trate de desmontar el producto usted mismo. Los usuarios no pueden reemplazar ni reparar ninguno de los componentes internos.

Sólo los distribuidores o los centros de servicio autorizados pueden abrir el producto. Si por alguna razón hubiese que cambiar alguna pieza del amplificador producto, ya sea por desgaste normal, rotura o desgarrar, póngase en contacto con su distribuidor.

No exponga el producto a la lluvia ni a otros líquidos.

Elimine el producto de acuerdo con las normativas y regulaciones locales.

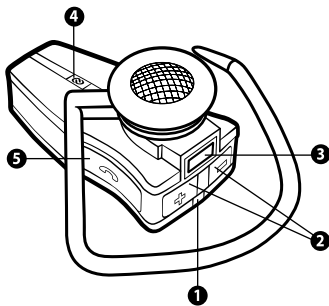
www.gnnetcom.com/weee

4. ACA TS028 – Incendio de atmósferas inflamables

No use el auricular en ambientes donde haya peligro de incendio de gases inflamables.

Acerca del microcasco Jabra JX10 cara

1. Colores de los LED
 - Azul, indica modo (sincronización, activo o en espera)
 - Rojo/verde, indica el nivel de carga de la batería (bajo, en carga o cargado)
2. Subir volumen (+), bajar volumen (-)
3. Conector de carga
4. Botón de sincronización
 - **pulse** para poner el microcasco en modo de sincronización
5. Botón contestar/finalizar llamada
 - **Pulsar** para encender el microcasco (el destello azul indica que el microcasco está encendido)
 - **Manténgalo pulsado** para apagar el microcasco (el destello azul indica que el microcasco se ha apagado)
 - **Pulse brevemente** para responder o finalizar una llamada



Funciones de su microcasco

Su microcasco Jabra JX10 cara le permite realizar las siguientes funciones (siempre que su teléfono las permita):

- Responder llamadas
- Terminar llamadas
- Rechazar llamadas*
- Marcar por voz*
- Repetir el último número marcado*
- Llamada en espera*
- Poner una llamada en espera*

* En función de las características del modelo de teléfono

Especificaciones

- Hasta 6 horas de conversación y hasta 200 en modo standby
- Batería recargable con opción de carga a través de fuente de alimentación de CA, ordenador por cable USB o cargador de automóvil (no incluido)
- Menos de 17 gramos
- Distancia de funcionamiento 10 metros
- Perfiles Bluetooth de microcasco y manos libres
- Especificación Bluetooth (véase el **glosario**) versión 1.2

PARA COMENZAR

El microcasco Jabra JX10 cara se maneja fácilmente. El botón contestar/finalizar llamada del microcasco realiza diferentes funciones dependiendo del tiempo de pulsación.

Instrucciones	Tiempo presionado:
Pulsar	Pulsar brevemente
Pulsar dos veces	Pulsar dos veces rápidamente
Presionar	Aprox. 1 segundo
Mantener presionado	Aprox. 2-3 segundos

1 Carga de su auricular

Asegúrese de que su auricular Jabra JX10 cara está completamente cargado antes de empezar a usarlo. Use el adaptador de corriente alterna para realizar la carga desde el enchufe de electricidad, o cárguelo directamente desde su ordenador con el cable USB que se incluye, o con el cargador del coche (ver fig. 3). Conecte su auricular como se muestra en la fig. 2. El LED se ilumina fijamente de color rojo cuando el auricular se está cargando.

El LED se ilumina en verde cuando está totalmente cargado.

Carga desde su ordenador

Conecte el adaptador USB/de corriente alterna al puerto adecuado. Coloque el JX10 cara en el puerto adecuado, según se muestra en la fig. 3.

Nota: La vida útil de la batería se ve reducida significativamente si deja su dispositivo sin cargar durante un largo período de tiempo. Le recomendamos que recargue su dispositivo al menos una vez al mes.


2 Encendido y apagado del microcasco

- **Pulse** el botón contestar/finalizar llamada para encender el microcasco.
- **Mantenga pulsado** el botón contestar/finalizar llamada para apagar el microcasco.

3 Sincronización con su teléfono

Antes de utilizar su microcasco JX10 cara debe sincronizarlo con su teléfono móvil.

1. Poner el microcasco en modo de emparejamiento

- Asegúrese de que el microcasco está encendido.
- **Pulse** el botón de sincronización que lleva el símbolo .

2. Ajustar su teléfono compatible con Bluetooth para que «descubra» el microcasco Jabra JX10 cara

Siga las instrucciones de la guía de usuario de su teléfono. Para ello generalmente debe utilizar cualquiera de los siguientes menús: «configurar», «conectar» o «Bluetooth» **en su teléfono** y seleccionar la opción «descubrir» o «añadir» un dispositivo Bluetooth. * *(Véase el ejemplo de un teléfono móvil típico en la figura 6)*

3. Su teléfono encontrará el microcasco Jabra JX10 cara

A continuación, su teléfono le preguntará si desea realizar la sincronización. Acepte pulsando «Sí» o «OK» en el teléfono y confirme con la **contraseña o PIN = 0000 (4 ceros)**. Su teléfono confirmará que ha concluido la sincronización. En caso de que la sincronización no se haya realizado, repita los pasos del 1 al 3.

4 Llévelo como más le guste

El microcasco Jabra JX10 cara está listo para colocarlo en la oreja derecha. Si prefiere utilizarlo en la derecha, levante suavemente el gancho y hágalo girar para ajustarlo a la oreja derecha. *(Véase la figura 4).*

GB

F

5 Cómo...

DE

Contestar una llamada

- **Pulse brevemente** el botón contestar/ finalizar llamada de su microcasco para responder una llamada.

IT

Finalizar una llamada

- **Pulse brevemente** el botón contestar/ finalizar llamada para poner fin a una llamada activa.

NL

Realizar una llamada

- Al hacer una llamada desde su teléfono móvil, la llamada pasará automáticamente (dependiendo de la configuración del teléfono) al microcasco. Si su teléfono no permite realizar esta función, pulse brevemente el botón contestar/ finalizar llamada del microcasco JX10 cara para hacer pasar la llamada al microcasco.

ES

DK

SU

Rechazar una llamada*

- **Pulse** el botón contestar/ finalizar llamada cuando suene el teléfono para rechazar una llamada entrante. Dependiendo de la configuración de su teléfono, la persona que le ha llamado será atendida por su buzón de voz o escuchará la señal de ocupado.

SE

NO

Activar la marcación por voz*

- Presione el botón de respuesta/ finalización de llamada. Para obtener unos resultados aún mejores, registre los nombres para la marcación por voz a través del auricular. Consulte el manual de usuario del teléfono para obtener más información sobre esta función.

PT

GR

Remarcar el último número*

- Pulse dos veces el botón de respuesta/ finalización de llamada cuando el auricular esté encendido y no esté en uso.

Ajustar el sonido y el volumen

- **Pulse** los botones (+ o -) para subir o bajar el volumen. *(Véase la figura 1).*

Llamada en espera y dejar una llamada en espera*

Esta función le permite poner en espera una llamada durante una conversación y responder a una llamada en espera.

- **Pulse** el botón contestar/ finalizar llamada una vez para poner en espera la llamada activa y responder la llamada en espera.
- **Pulse** el botón contestar/ finalizar llamada para pasar de una llamada a la otra.
- **Pulse brevemente** el botón contestar/ finalizar llamada para poner fin a la conversación activa.

* Las funciones marcadas con un * dependen de que su teléfono permita su ejecución. Para más información, consulte el manual de usuario de su teléfono

6 Significado de las luces

Luz visible	Significado en el microcasco
Azul intermitente	Parpadeo cada segundo: llamada activa
Azul intermitente	Parpadeo cada tres segundos: modo en espera
Roja intermitente	Batería baja
Roja fija	En carga
Verde fija	Carga completa
Azul fija	Modo de apareamiento – <i>véase el apartado 3</i>

7 Utilización del Jabra JX10 cara con dos teléfonos móviles

El Jabra JX10 cara permite que el auricular esté conectado a dos teléfonos móviles al mismo tiempo. Esta característica ofrece la posibilidad de controlar dos teléfonos móviles con un único auricular. El funcionamiento del auricular es el que se describe en el apartado 6.

Lo único que hay que tener en cuenta es que la función de Rellamada al último número tendrá en cuenta el número correspondiente a la última llamada saliente, independientemente del teléfono desde el que se haya realizado, y que la función de Marcación por voz sólo funcionará con el último teléfono móvil que se haya emparejado.

8 Utilización de un Hub Bluetooth Jabra

El Jabra JX10 cara se puede utilizar en conjunción con el Hub Bluetooth Jabra (se vende por separado). Esta combinación permite utilizar el auricular con un teléfono móvil y un teléfono fijo.

Emparejamiento del Jabra JX10 cara con el Hub Bluetooth Jabra

El proceso de emparejamiento difiere un poco del mencionado anteriormente:

- Ponga el Jabra JX10 cara en el modo de emparejamiento.
- Ponga el Hub Bluetooth Jabra en el modo de emparejamiento.
- Sitúelos juntos. No se necesita un código PIN específico para emparejar dos productos de Jabra. Consulte el manual de usuario del Hub Bluetooth de Jabra para obtener más información sobre cómo conectar el hub Bluetooth al teléfono fijo.

La utilización del Jabra JX10 cara junto con el Hub Bluetooth Jabra es muy similar a la utilización del auricular con un solo teléfono móvil. La única diferencia reside en la transferencia de una llamada desde el teléfono fijo al auricular.

Transferencia de una llamada al auricular

- Pulse el botón de respuesta/finalización de llamada para transferir la llamada del teléfono fijo al auricular a través del Hub Bluetooth Jabra.

La respuesta a una llamada desde el teléfono fijo requiere un elevador del gancho para que el Jabra JX10 cara pueda responder a la llamada automáticamente.

GB

F

9 Determinación de problemas y preguntas frecuentes

DE

Oigo crepitaciones

Para conseguir la mejor calidad de audio, lleve siempre el auricular al mismo lado del cuerpo que el teléfono móvil.

IT

No se oye nada a través del auricular

- Aumente el volumen del auricular.
- Compruebe que el auricular está encajado con el teléfono.
- Compruebe que el teléfono esté conectado al auricular. En caso negativo, conéctelo sea mediante el menú Bluetooth del teléfono o pulsando ligeramente el botón de respuesta/finalización y siguiendo el procedimiento de encaje (*consulte la sección 3*).

NL

ES

DK

SU

Tengo problemas de encaje, aunque el teléfono indica lo contrario

Es posible que haya eliminado la conexión de encaje con el auricular de su teléfono móvil. Siga las instrucciones de encaje de la sección 3.

SE

NO

¿Funciona el Jabra JX10 cara con otros equipos Bluetooth?

El Jabra JX10 cara se ha diseñado para funcionar con teléfonos móviles Bluetooth. También puede funcionar con otros dispositivos Bluetooth conformes con la norma Bluetooth versión 1.1 o 1.2 y admiten un perfil de auriculares o de manos libres.

PT

GR

No puedo usar el rechazo de llamadas, la retención de llamada, el remarcado o la marcación por voz

Estas funciones dependen de si su teléfono dispone de ellas. Consulte el manual de su teléfono si precisa más detalles.

10 ¿Necesita más ayuda?

Para más información, consulte la contraportada.

11 Cuidado del auricular

- Guarde siempre el Jabra JX10 cara apagado y bien protegido.
- Evite guardarlo con temperaturas extremas (más de 45 °C/113 °F – o bajo la luz solar directa – o menos de -10 °C/14 °F). Podría reducir la duración de la batería y afectar al funcionamiento. Las temperaturas elevadas también pueden reducir las prestaciones.
- No exponga el Jabra JX10 cara a la lluvia ni a otros líquidos.

12 Información de servicio y de garantía

Garantía de dos (2) años limitada

GN Netcom AS ("GN"), garantiza que este producto no contiene ningún defecto en sus materiales ni en su fabricación (sujeto a los términos definidos a continuación) durante un período de dos (2) años desde la fecha de adquisición ("Período de garantía"). Durante el Período de garantía, GN reparará o sustituirá (según considere oportuno) este producto o cualquier parte defectuosa ("Servicio de garantía"). Si la reparación o sustitución no fuera comercialmente viable o no se pudiera realizar a tiempo, GN podrá elegir reembolsar la cuantía de la compra abonada por el producto afectado. La reparación o sustitución de acuerdo con los términos de esta garantía no otorga ningún derecho a una extensión o a un nuevo comienzo del período de la garantía.

Reclamaciones durante el período de garantía

Para obtener el Servicio de garantía, póngase en contacto con el distribuidor de GN que le vendió este producto o visite www.gnnetcom.com o www.jabra.com para obtener más información acerca del servicio de atención al cliente.

Tendrá que devolver este producto al distribuidor o enviarlo al distribuidor o a GN (si así se indicase en www.gnnetcom.com o en www.jabra.com) bien en su embalaje original o en un embalaje que proporcione el mismo grado de protección.

El usuario asumirá los costes asociados al envío del producto a GN. Si el producto está cubierto por la garantía, GN correrá con los gastos de envío del producto al usuario después de haber realizado el servicio de acuerdo con esta garantía. El coste de devolución del producto se cargará al usuario en caso de que los productos no estén cubiertos por la garantía o no requieran una reparación cubierta por la garantía.

Se debe presentar la siguiente información para obtener el Servicio de garantía: (a) el producto y (b) justificante de compra, que indique claramente el nombre y dirección del vendedor, la fecha de compra y el tipo de producto, que es la prueba de que este producto se encuentra dentro del período de garantía. Incluya además (c) la dirección de envío. (d) número de teléfono de contacto y (e) motivo de devolución.

Como parte de los esfuerzos de GN/Jabra para reducir el daño medioambiental, por el presente documento acepta que el producto puede constar de equipo reacondicionado que contiene componentes utilizados, algunos de ellos adaptados. Los componentes utilizados cumplen los principios de alta calidad de GN/Jabra y cumplen con las especificaciones de fiabilidad y rendimiento del producto de GN. Por el presente documento, acepta que las piezas o componentes sustituidas serán propiedad de GN.

Limitación de la garantía

Esta garantía sólo es válida para el comprador original y terminará automáticamente antes de su expiración si este producto se vendiese o se transfiriese a otra persona. La garantía proporcionada por GN en este documento es válida únicamente para los productos adquiridos para su uso y no para reventa. No es válida para las compras de segunda mano, que se compran "tal cual" y sin ningún tipo de garantía.

GB

F

DE

IT

NL

ES

DK

SU

SE

NO

PT

GR

GB

Están exentos de manera específica de cualquier garantía los componentes consumibles de vida limitada sujetos al desgaste normal, como las protecciones de los micrófonos, las almohadillas de los auriculares, los enchufes modulares, los auriculares, las decoraciones, las baterías y otros accesorios.

F

DE

Esta garantía no es válida si el número de serie aplicado en la fábrica, la etiqueta del código de fecha o la etiqueta del producto se ha modificado o quitado de este producto.

IT

Esta garantía no cubre los daños de imagen o los daños debidos a un uso incorrecto, abuso, negligencia, desgracias motivadas por las fuerzas de la naturaleza, accidentes, desmontaje o modificación del producto, o de cualquier parte de él. Esta garantía no cubre los daños provocados por una operación, mantenimiento o instalación inadecuados o el intento de reparación por cualquiera que no sea GN o un distribuidor de GN con autorización para realizar el trabajo de garantía de GN. Todas las reparaciones no autorizadas anularán esta garantía.

NL

ES

DK

REPARACIONES O SUSTITUCIONES REALIZADAS TAL COMO SE INDICA EN ESTA GARANTÍA ES LA ÚNICA SOLUCIÓN JURÍDICA DEL CONSUMIDOR. GN NO SERÁ RESPONSABLE DE NINGÚN DAÑO INCIDENTAL O CONSECUENCIA DEL INCUMPLIMIENTO EXPRESO O IMPLÍCITO DE LA GARANTÍA DE ESTE PRODUCTO. EXCEPTO HASTA LOS LÍMITES NO PERMITIDOS POR LA LEY, ESTA GARANTÍA ES EXCLUSIVA Y SUSTITUYE TODAS LAS GARANTÍAS EXPRESAS E IMPLÍCITAS, INCLUIDA, PERO SIN LIMITARSE A ELLO, LA GARANTÍA DE COMERCIABILIDAD E IDONEIDAD PARA UN FIN PRÁCTICO.

SU

SE

NO

NOTA: Esta garantía le proporciona derechos legales específicos. Puede tener otros derechos que varían de un lugar a otro. Algunas jurisdicciones no permiten la exclusión o limitación de daños incidentales o consecuentes o las garantías implícitas, por lo que es posible que las exclusiones anteriores no se apliquen en su caso. Esta garantía no afecta a sus derechos legales de acuerdo con sus leyes nacionales o locales.

PT

GR

13 Certificación y aprobaciones de seguridad

CE

Este producto lleva la marca CE de acuerdo con las provisiones de la Directiva 1999/5/CE sobre RTTE. Por el presente, GN Netcom declara que este producto cumple los requisitos esenciales y otras provisiones pertinentes de la Directiva 1999/5/CE.

Para más información por favor consulte <http://www.jabra.com>

Dentro de la UE, este dispositivo está destinado para su uso en Austria, Bélgica, Chipre, República Checa, Dinamarca, Estonia, Finlandia, Francia, Alemania, Grecia, Hungría, Irlanda, Italia, Letonia, Lituania, Luxemburgo, Malta, Polonia, Portugal, Eslovaquia, Eslovenia, España, Suecia, Países Bajos, Reino Unido y en los países de la AELC en Islandia, Noruega y Suiza.

Bluetooth

La marca literal y los logotipos *Bluetooth*® son propiedad de Bluetooth SIG, Inc, y cualquier uso de dichas marcas por GN Netcom se hace bajo licencia. Otras marcas y nombres comerciales son propiedad de sus respectivos titulares.

14 Glosario

- 1 **Bluetooth** es una tecnología de radio que conecta dispositivos, como teléfonos móviles y auriculares, sin cables a una distancia corta (aprox. 19 m /30 pies). Encontrará más información en www.bluetooth.com.
- 2 Los **perfiles Bluetooth** son las distintas formas que usan los dispositivos Bluetooth para comunicarse entre ellos. Los teléfonos móviles Bluetooth admiten el perfil de auriculares, el perfil de manos libres o ambos. Para admitir un perfil determinado, un fabricante de teléfonos debe aplicar determinadas características obligatorias en el software del teléfono.
- 3 El **encaje** crea un enlace exclusivo y cifrado entre dos dispositivos Bluetooth y le permite comunicarse entre ellos. Los dispositivos Bluetooth no funcionan si no han sido encajados.
- 4 La **clave de paso o el PIN** es un código que se introduce en el teléfono móvil para encajarlo con el Jabra JX10 cara. De este modo el teléfono y el Jabra JX10 cara se reconocen entre ellos y funcionan conjuntamente de modo automático.
- 5 El **modo de espera** es cuando el Jabra JX10 cara espera pasivamente una llamada. Cuando usted "finaliza" una llamada en su teléfono móvil, el auricular pasa a modo de espera



Este producto debe
desecharse según los
estándares y normativas locales.
www.jabra.com/weee

GB

F

DE

IT

NL

ES

DK

SU

SE

NO

PT

GR

Dansk

Tillykke!	76
Om Jabra JX10 cara	77
Headset-funktioner	78
Kom i gang	78
Opladning af headsettet	78
Tænd/sluk for headsettet	79
Parring med din telefon	79
Bær headsettet efter eget ønske	79
Sådan	80
Det betyder lysene	81
Brug af Jabra JX10 cara med to mobiltelefoner	81
Brug af en Jabra Bluetooth Hub	81
Fejlfinding og ofte stillede spørgsmål	82
Har du brug for yderligere assistance?	82
Pleje og vedligeholdelse	82
Kundeservice- og garantioplysninger	83
Registrering og sikkerhedsgodkendelse	84
Ordlister	85

GB

F

DE

IT

NL

ES

DK

SU

SE

NO

PT

GR

Tillykke!

Tillykke med dit nye Jabra JX10 cara Bluetooth®-headset. Vi håber, du får stor glæde af det!

Læs denne brugsanvisning grundigt igennem for at få mest muligt ud af headsettet.

ADVARSEL!

Headset kan afgive høje lyde og toner i et højt leje. Hørelsen kan blive beskadiget permanent, hvis man udsættes for sådanne lyde. Lydstyrken kan variere, afhængigt af hvilken telefon du bruger, telefonens indstillinger for modtagelse og lydstyrke samt omgivelserne. Læs sikkerhedsvejledningen nedenfor, før du tager headsettet i brug.

Sikkerhedsvejledning

1. Følg disse trin, før du tager produktet i brug:

- Før du tager headsettet på, skal du skrue lydstyrken ned til laveste niveau
- tag headsettet på og
- juster derefter lydstyrken langsomt til et passende niveau.

2. Under brug af produktet

- Hold lydstyrken på det lavest mulige niveau og undgå at bruge headsettet i støjende omgivelser, hvor det kan være nødvendigt at skrue op for lyden.
- Hvis det er nødvendigt at øge lydstyrken, skal du gøre det langsomt og
- Hvis du får gener eller ringen for ørerne, skal du øjeblikkeligt stoppe med at bruge headsettet og kontakte din læge.

Ved fortsat brug ved høj lydstyrke kan dine ører blive vænnet til dette lydniveau, hvilket kan medføre permanent skade på din hørelse uden nogen mærkbare gener.

Brug af headsettet under kørsel på motordrevet køretøj, herunder motorcykel, vandfartøj eller cykel, kan være farligt, og er i visse lande ulovlig. Kontroller den lokale lovgivning. Vær forsigtig ved brug af headsettet under udførelse af aktivitet, der kræver din fulde opmærksomhed. Hvis du er optaget af en sådan aktivitet, kan du fjerne headsettet fra øreområdet eller skrue ned for headsettet, så du ikke distraheres, og for på den måde at undgå ulykke eller personskade.

3. Opbevar headsettet udenfor børns rækkevidde:

De plastikposer og indpakningsdele produktet er emballeret i, er ikke legetøj for børn. Selve poserne og de små dele, de indeholder, kan forårsage kvælning, hvis de sluges. Du må aldrig selv forsøge at demontere produktet. De indvendige komponenter må ikke udskiftes eller repareres af brugeren.

Produktet må kun åbnes af autoriseret forhandler eller servicecentre. Hvis produktet af en eller anden grund kræver udskiftning, herunder på grund af naturligt slid eller beskadigelse, bedes du kontakte forhandleren.

Undgå at udsætte headsettet for regn eller andre væsker.

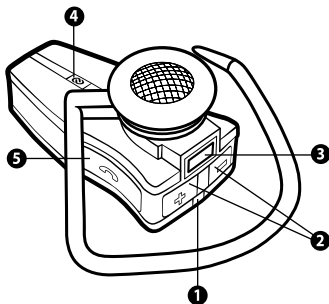
Bortskaf produktet i overensstemmelse med lokale bestemmelser og love.
www.gnnetcom.com/weee

4. ACA TS028 - Antændelse af brændbare atmosfærer

Brug ikke headsettet i områder, hvor der er fare for antændelse af brændbare gasser.

Om Jabra JX10 cara

1. LED
 - Blå angiver tilstand (parring, aktiv eller standby)
 - Rød angiver batteriniveau (næsten opbrugt, lader eller fuldt opladet)
2. Lydstyrke op (+), lydstyrke ned (-)
3. Opladerstik
4. **Tryk på** parring-knap for at sætte headsettet i parring-tilstand
5. Besvar/afslut-knap
 - **Tryk på** besvar/afslut-knap for at tænde headsettet (en række blå blink angiver, at parringen er fuldført)
 - **Tryk på og hold** besvar/afslut-knap nede for at slukke headsettet (en række blå blink angiver, at headsettet er slukket)
 - **Tryk let på** besvar/afslut-knap for at besvare eller afslutte et opkald



Headset-funktioner

Med Jabra JX10 cara kan du (afhængigt af om telefonen understøtter funktionen):

- Besvare opkald
- Afslutte opkald
- Afvise opkald*
- Foretage stemmeopkald*
- Ringe til det sidste opkaldte nummer*
- Sætte opkald i venteposition*
- Parkere et opkald*

* Afhænger af telefonen

Specifikationer

- Op til 6 timers taleid og op til 200 timers standbytid
- Genopladeligt batteri med opladning fra stikkontakt, en pc via USB-kabel, en bordlader eller en billader (medfølger ikke).
- Mindre end 17 gram
- Rækkevidden er op til 10 meter
- Headset- og håndfri Bluetooth-profiler
- Bluetooth-specifikation (se **ordliste**) version 1.2

KOM I GANG

Jabra JX10 cara er nemt at betjene. Knappen til besvarelse/afslutning af et opkald på headsettet udfører forskellige funktioner, afhængigt af hvordan du trykker på den.

Instruktion:	Trykkets varighed:
Kort tryk	Tryk kortvarigt
To korte tryk	To hurtigt gentagne bank
Tryk	Ca. 1 sekund
Tryk på og hold nede	Ca. 2-3 sekunder

1 Opladning af headsettet

Sørg for, at Jabra JX10 cara-headsettet er fuldt opladet, før du bruger det. Brug vekselstrømsadapteren til at oplade via en stikkontakt, eller oplad direkte fra din pc med det medfølgende USB-kabel via din biloplader – se fig. 3. Tilslut dit headset, sådan som det er vist i fig. 2.

Når LED'en konstant lyser rødt, er headsettet i gang med at blive opladet.

Når LED'en lyser grønt, er headsettet fuld opladet.

Opladning fra holderen på skrivebordet

Tilslut USB-kablet/vekselstrømsadapteren til holderen på skrivebordet. Sæt JX10 cara i skrivebordsholderen som vist i fig. 3.

Bemærk! Batteriets levetid vil blive reduceret markant, hvis denne enhed ikke oplades igennem længere tid. Vi anbefaler derfor, at du genoplader din enhed mindst én gang om måneden.


2 Tænd/sluk for headsettet

- **Tryk på** besvar/afslut-knappen for at tænde headsettet.
- **Tryk på og hold** besvar/afslut-knappen nede for at slukke headsettet.

3 Parring med din telefon

Før du kan bruge Jabra JX10 cara, skal du oprette parring mellem headsettet og din mobiltelefon.

1. Sæt headsettet i parring-tilstand

- Kontroller, at headsettet er tændt.
- **Tryk på** parring-knappen med mærket .

2. Angiv din Bluetooth-telefon til registrering af Jabra JX10 cara

Følg vejledningen til telefonen. Du skal typisk bruge en opsætnings-, tilslutnings- eller Bluetooth-menu **på telefonen** og vælge en indstilling til at finde eller tilføje en Bluetooth-enhed. * (**Se eksemplet fra en almindelig mobiltelefon i figur 6**).

3. Telefonen finder Jabra JX10 cara

Du bliver derefter spurgt, om du vil oprette parring mellem telefonen og headsettet. Accepter ved at trykke på Ja eller OK på telefonen, og bekræft med **adgangskoden eller pinkoden = 0000 (fire nuller)**.

Telefonen bekræfter, når parringen er fuldført. Hvis parringen ikke lykkes, skal du gentage trin 1 til 3.

4 Bær headsettet efter eget ønske

Jabra JX10 cara er klar til brug på det højre øre. Hvis du foretrækker det venstre, skal du forsigtigt slå ørebøjlen ud og dreje den, så den passer til det venstre øre. (**Se figur 4**).

GB

F

5 Sådan ...

DE

Besvarer du et opkald

- Tryk let på besvar/afslut-knappen for at besvare et opkald.

IT

Afslutter du et opkald

- Tryk let på besvar/afslut-knappen for at afslutte et aktivt opkald.

NL

ES

Foretager du et opkald

- Når du foretager et opkald fra mobiltelefonen, overføres opkaldet (afhængigt af telefonens indstillinger) automatisk til headsettet. Hvis telefonen ikke understøtter denne funktion, skal du trykke let på besvar/afslut-knappen på Jabra JX10 cara for at modtage opkaldet i headsettet.

DK

SU

Afviser du et opkald*

- Tryk på besvar/afslut-knappen, når telefonen ringer, for at afvise et indgåede opkald. Den, der ringer til dig, vil, afhængigt af telefonens indstillinger, blive viderestillet til telefonsvareren eller høre en optaget-tone.

SE

NO

PT

Aktivering af stemmeopkald*

- Tryk på besvar/afslut-knappen. Optag stemmekoden via headsettet for at få det bedste resultat. Du kan få flere oplysninger om denne funktion i brugervejledningen til telefonen.

GR

Opkald til det sidst kaldte nummer*

- To gange kort tryk på besvar/afslut-knappen, når headsettet er tændt og ikke i brug.

Justerer du lyd og lydstyrke

- Tryk på lydstyrke op eller ned (+ eller -) for at justere lydstyrken. (Se figur 1).

Sætter du et opkald i vente-position, eller parkerer du et opkald*

Disse funktioner gør det muligt at parkere en samtale og besvare et ventende opkald.

- Tryk på besvar/afslut-knappen en gang for at parkere det aktive opkald og besvare det ventende.
- Tryk på besvar/afslut-knappen for at skifte mellem de to opkald.
- Tryk let på besvar/afslut-knappen for at afslutte den aktive samtale.

* Funktioner, der er markeret med*, afhænger af, om telefonen understøtter disse funktioner. Du kan få yderligere oplysninger i brugervejledningen til telefonen.

6 Det betyder lysene

Hvis LED'en	Har det følgende betydning for headsettet
Blinker blå	Blinker hvert sekund: Der er et aktivt opkald
Blinker blå	Blinker hvert 3. sekund: i standby-tilstand
Blinker rødt	Ved at løbe tør for batteri
Lyser rødt	Oplader
Lyser grønt	Fuldt opladet
Lyser blå	I pairing-tilstand – <i>se afsnit 3</i>

7 Brug af Jabra JX10 cara med to mobiltelefoner

Det er muligt at slutte to mobiltelefoner til Jabra JX10 cara-headsettet samtidigt. Det giver dig mulighed for at betjene begge dine mobiltelefoner via headsettet alene. Headsettets funktioner betjenes, som beskrevet i afsnit 6.

Bemærk, at der med funktionen Genopkald til sidst kaldte nummer kaldes op til nummeret fra sidste udgående opkald, uafhængig af mobiltelefonerne, og at funktionen Stemmeopkald kun fungerer med den sidst parrede mobiltelefon.

8 Brug af en Jabra Bluetooth Hub

Jabra JX10 cara kan bruges sammen med Jabra Bluetooth Hub (sælges separat). Dette gør det muligt at bruge headsettet med både din mobiltelefon og din fastnettelefon.

Sådan parres Jabra JX10 cara med Jabra Bluetooth Hub

Parringsprocessen er en lille smule anderledes:

- Sæt Jabra JX10 cara i parringstilstand.
- Sæt Jabra Bluetooth Hub i parringstilstand.
- Placer dem tæt på hinanden. Det er ikke nødvendigt med en dedikeret PIN-kode for at parre de to Jabra-produkter. I brugervejledningen til Jabra Bluetooth Hub finder du flere oplysninger om, hvordan Bluetooth Hub forbindes med din fastnettelefon.

Brugen af Jabra JX10 cara med Jabra Bluetooth Hub svarer til kun at bruge headsettet med en mobiltelefon. Den eneste forskel ligger i overførslen af et opkald til headsettet fra fastnettelefonen.

Overførsel af opkaldet til headsettet

- Tryk let på besvar/afslut-knappen for at overføre opkaldet fra fastnettelefonen til headsettet via Jabra Bluetooth Hub.

Hvis Jabra JX10 cara skal kunne besvare et opkald fra fastnettelefonen automatisk, skal der anvendes en kontaktløfter.

GB

F

9 Fejlfinding og ofte stillede spørgsmål

DE

Jeg kan høre en knitrende lyd

Bær altid headsettet på den samme side af kroppen som mobiltelefonen for at opnå den bedste lyd kvalitet.

IT

NL

Jeg kan ikke høre noget i headsettet

- Skru op for lydstyrken i headsettet.
- Kontrollér, at headsettet er parret med telefonen.
- Kontrollér, at telefonen er sluttet til headsettet. Hvis du ikke kan oprette forbindelse via telefonens Bluetooth-menu eller ved at trykke kort på knappen "Answer/end", skal du følge anvisningerne til parring af enhederne (*se afsnit 3*).

ES

DK

SU

Jeg har problemer med at parre enhederne, selvom telefonen viser noget andet

Du har muligvis slettet parringen af headsettet i mobiltelefonen. Følg anvisningerne til parring af enhederne, der er beskrevet i afsnit 3.

SE

NO

Understøtter Jabra JX10 cara-headsettet andet Bluetooth-udstyr?

Jabra JX10 cara-headsettet er beregnet til brug med mobiltelefoner, der understøtter Bluetooth. Det kan også bruges sammen med andet Bluetooth-udstyr, der understøtter Bluetooth i version 1.1 eller 1.2 i headset- og / eller håndfri profil.

PT

GR

Jeg kan ikke anvende funktionerne "Afvis opkald", "Stil opkald i venteposition" eller "Stemmestyret opkald"

Disse funktioner er kun tilgængelige, hvis telefonen understøtter dem. Se, om det er tilfældet, i brugsanvisningen til telefonen.

10 Har du brug for yderligere assistance?

Se indvendigt på omslaget for at få supportoplysninger for dit land.

11 Pleje og vedligeholdelse

- Opbevar altid Jabra JX10 cara-headsettet et sikkert sted, og sluk altid for headsettet, hvis du ikke skal bruge det i længere tid.
- Beskyt headsettet mod direkte sollys og ekstreme temperaturer (over 45° C og under -10° C), da dette kan reducere batteriets levetid og medføre funktionssvigt. Høje temperaturer kan desuden hæmme ydeevnen.
- Beskyt Jabra JX10 cara-headsettet mod regn og andre væsker.

12 Kundeservice- og garantioplysninger

Begrænset toårs- (2-års-) garanti

I henhold til nedennævnte betingelser i denne begrænsede garanti, garanterer GN Netcom AS ("GN"), at produktet er fri for fejl i materialer og forarbejdning i en periode på to (2) år fra købstidspunktet ("Garantiperiode"). GN sørger for reparation eller udskiftning (efter GN's eget skøn) af produktet eller fejlbehæftede dele under garantiperioden ("Garantiser-vice"). Hvis reparation eller udskiftning ikke er mulig eller ikke kan udføres rettidigt, kan GN vælge at refundere det beløb, der er betalt for det pågældende produkt. Reparation eller udskiftning i henhold til betingelserne i denne begrænsede garanti giver ikke ret til forlængelse eller påbegyndelse af ny garantiperiode.

Krav i henhold til garanti

For at gøre brug af Garantiser-vice bedes du kontakte den GN-forhandler, som du har købt produktet af eller besøg www.gnnetcom.com eller www.jabra.com for yderligere oplysninger om kundesupport.

Du skal returnere produktet til forhandleren eller sende det til denne eller GN (hvis det fremgår af www.gnnetcom.com eller www.jabra.com) i originalemballagen eller i emballage, der giver samme beskyttelse.

Forsendelsesomkostninger ved returnering af produktet til GN skal afholdes af dig. Hvis produktet er dækket af garantien, afholdes forsendelsesomkostningerne, ved returnering af produktet til dig efter servicen er udført, af GN i henhold til denne begrænsede garanti. Du skal betale forsendelsesomkostningerne i forbindelse med returnering af produkter til dig, som ikke er dækket af garantien, eller som ikke kræver garantireparation.

Følgende skal oplyses for at opnå Garantiser-vice: (a) produkt og (b) dokumentation for køb, hvoraf navn og adresse på sælgeren tydeligt fremgår, købstidspunkt og produkttype, hvilket betragtes som dokumentation for at produktet falder indenfor garantiperioden. Oplys endvidere (c) returadresse. (d) telefonnummer i dagtimerne og (e) årsag til returnering.

Som en del af GN/Jabra's bestræbelser på at reducere mængden af miljøaffald er det vigtigt, at du er indforstået med, at produktet kan indeholde genbehandlet udstyr, der omfatter brugte komponenter, hvoraf nogle er blevet genbearbejdet. Alle brugte komponenter lever op til GN/Jabra's høje kvalitetsstandarder og er i overensstemmelse med GN's specifikationer for produkttydeevne og pålidelighed. Du accepterer endvidere, at udskiftede dele eller komponenter bliver GN's ejendom.

Garantibegrænsning

Garantien er kun gældende for den oprindelige køber og bortfalder automatisk forud for udløb, hvis produktet sælges eller på anden måde overdrages til anden part. Den garanti, GN yder i henhold til nærværende bestemmelser, er kun gældende for produkter, der er købt til brug og ikke til videresalg. Garantien gælder ikke for "open box-køb", der sælges "som beset" og uden garanti.

GB

Komponenter med en begrænset levetid, der udsættes for almindelig slitage, som f.eks. mikrofon-vindhætter, ørepuder, modulære kontakter, ørestykker, dekorativt udstyr, batterier og andet tilbehør er ikke dækket af garantien. Garantien er ugyldig, hvis serienummer, datomærkat eller produktmærkat er ændret eller fjernet fra produktet.

DE

Garantien dækker ikke kosmetisk beskadigelse eller beskadigelse som følge af forkert brug, misligholdelse, forsømmelse, naturkatastrofe, uheld, fejlagtig montering eller ændring af eller på dele af produktet.

IT

Garantien dækker ikke beskadigelse som følge af fejlagtig betjening, vedligeholdelse eller installation eller forsøg på reparation af andre end GN eller autoriseret GN-forhandler, som har tilladelse til at udføre garantiarbejde for GN. Uautoriseret reparation vil gøre garantien ugyldig.

NL

ES

FORBRUGERENS ENESTE BEFØJELSE I HENHOLD TIL GARANTIE ER REPARATION ELLER UDSKIFTNING. GN HÆFTER IKKE FOR TILFÆLDIGE SKADER ELLER FØLGESKADER SOM FØLGE AF BRUD PÅ GARANTIE, HVERKEN UDTRYKKELIK ELLER UNDERFORSTÅET, PÅ PRODUKTET. I DET OMFANG GÆLDENDE LOVGIVNING GØR DET MULIGT, ER DENNE GARANTI EKSKLUSIV OG YDER INGEN ANDEN GARANTI, HVERKEN UDTRYKKELIK ELLER UNDERFORSTÅET, HERUNDER MEN IKKE BEGRÆNSET TIL GARANTI FOR SALGBARHED, EGNETHED TIL SPECIELLE FORMÅL.

DK

SU

SE

BEMÆRK! Denne garanti giver dig specifikke juridiske rettigheder. Men du kan have andre rettigheder, som kan variere fra sted til sted. Nogle jurisdiktioner tillader ikke fraskrivelse eller begrænsning af ansvar for tilfældige skader eller følgeskader eller underforståede garantier, hvorfor ovenstående ansvarsbegrænsninger og -fraskrivelse muligvis ikke gælder for dig. Denne garanti påvirker ikke dine juridiske (lovmæssige) rettigheder i overensstemmelse med gældende national eller lokal lovgivning.

NO

PT

GR

13 Registrering og sikkerhedsgodkendelse

CE

Dette produkt er CE-mærket i overensstemmelse med bestemmelserne i R & TTE-direktivet (1999/5/EF).

GN Netcom erklærer herved, at dette produkt overholder de væsentlige krav og andre relevante bestemmelser i direktivet 1999/5/EF.

Yderligere oplysninger findes på adressen <http://www.jabra.com>

Denne enhed er inden for EU beregnet til brug i Østrig, Belgien, Cypern, Tjekkiet, Danmark, Estland, Finland, Frankrig, Tyskland, Grækenland, Ungarn, Irland, Italien, Letland, Litauen, Luxembourg, Malta, Polen, Portugal, Slovakiet, Slovenien, Spanien, Sverige, Holland, Storbritannien, og inden for EFTA på Island, i Norge samt i Schweiz.

Bluetooth

Bluetooth®-varemærket og -logoer tilhører Bluetooth SIG, Inc., og enhver brug af sådanne varemærker af GN Netcom foregår under licens. Andre varemærker og varebetegnelser tilhører deres respektive ejere.

14 Ordliste

- 1 Bluetooth:** en radioteknologi, der sikrer, at enheder såsom mobiltelefoner og headset kan tilsluttes på kort afstand uden brug af ledninger eller kabler (cirka 10 meter). Læs mere på www.bluetooth.com.
- 2 Bluetooth-profiler:** forskellige måder, hvorpå Bluetooth-enheder kan kommunikere med hinanden. Telefoner, der understøtter Bluetooth, er enten baseret på en headset-profil, en håndfri profil eller begge. Før en enhed kan understøtte en bestemt profil, skal producenten af telefonen implementere forskellige obligatoriske funktioner i den software, der leveres med telefonen.
- 3 Parring:** metode, der bruges til at oprette en unik eller krypteret forbindelse mellem to Bluetooth-enheder, så de kan kommunikere med hinanden. Bluetooth-enheder fungerer kun, hvis de er blevet parret.
- 4 Adgangsnøgle eller PIN-kode:** en kode, der skal indtastes i en mobiltelefon, før den kan parres med en Jabra JX10 cara-adapter. Koden sikrer, at telefonen og Jabra JX10 cara-adapteren genkender hinanden og automatisk samarbejder.
- 5 Standby-tilstand:** den tilstand, hvor Jabra JX10 cara-headsettet passivt venter på et opkald. Når du 'afslutter' en samtale på mobiltelefonen, går headsettet automatisk i standby-tilstand.



Bortskaf produktet i overensstemmelse med lokale bestemmelser og love.
www.jabra.com/weee

GB

F

DE

IT

NL

ES

DK

SU

SE

NO

PT

GR

Suomi

Kiitos.....	88
Jabra JX10 cara -kuulokkeen käyttö	89
Kuulokkeen ominaisuudet	90
Aloituspäivä	90
Kuulokkeen lataaminen.....	90
Kuulokkeen ottaminen käyttöön ja poistaminen käytöstä.....	91
Yhdistäminen matkapuhelimeen	91
Käytä kuuloketta haluamallasi tavalla	91
Kuulokkeen käyttö	92
Merkkivalojen merkitys.....	93
JABRA JX10 cara:n käyttäminen kahden matkapuhelimen kanssa	93
Jabra Bluetooth -keskittimen käyttäminen	93
Vianmääritys ja usein kysytyt kysymykset.....	94
Tarvitsetko lisäapua?	94
Sankaluurien hoito	94
Huolto- ja takuutiedot	95
Sertifiointi ja turvallisuushyväksynnät	96
Sanasto	97

GB

F

DE

IT

NL

ES

DK

SU

SE

NO

PT

GR

Kiitos, että valitsit Jabra JX10 cara Bluetooth® -sankaluurit. Toivottavasti nautit tuotteen käytöstä!

Tämän käyttöoppaan avulla pääset käytössä alkuun ja voit hyödyntää sankaluureja mahdollisimman tehokkaasti.

VAROITUS!

Kuulokkeet voivat toistaa sekä voimakkaita että korkeita ääniä. Tällaisille äänille altistuminen voi aiheuttaa pysyviä kuulovaurioita. Äänenvoimakkuuden vaihtelu voi johtua olosuhteista kuten käytettävästä puhelimesta, sen vastaanotto- ja äänenvoimakkuusasetuksista sekä ympäristöstä. Lue alla olevat turvallisuusohjeet ennen kuulokkeiden käyttämistä.

Turvallisuusohjeet

1. Toimi seuraavasti ennen tämän tuotteen käyttämistä:

- Käännä ennen kuulokkeiden asettamista päähän äänenvoimakkuudensäädin pienimmälle tasolle.
- Aseta kuulokkeet päähän ja säädä hitaasti äänenvoimakkuus miellyttävälle tasolle.

2. Tuotteen käyttämisen aikana

- Pidä äänenvoimakkuus mahdollisimman pienenä ja vältä kuulokkeiden käyttöä meluisissa ympäristöissä, joissa voi esiintyä halua lisätä äänenvoimakkuutta.
- Jos äänenvoimakkuuden lisääminen on välttämätöntä, säädä äänenvoimakkuudensäädintä hitaasti ja
- Jos huomaat kipua tai korvien soimista, lopeta välittömästi kuulokkeiden käyttö ja ota yhteys lääkäriin.

Jos jatkat kuuntelemista suurella äänenvoimakkuudella, korvasi voivat tottua äänenvoimakkuuteen, jolloin kuulosi voi vahingoittua pysyvästi ilman, että huomaat kipua.

Kuulokkeiden käyttäminen ajaessasi moottoriajoneuvoa, moottoripyörää, vesikulkuneuvoa tai polkupyörää voi olla vaarallista. Joissakin maissa se on laitonta. Tutustu paikalliseen lainsäädäntöön. Ole varovainen käyttäessäsi kuulokkeita, jos toiminto edellyttää keskittymistä. Poista kuulokkeet tällaisten toimintojen ajaksi korviltasi tai katkaise niistä virta keskittymiskyvyn varmistamiseksi sekä onnettomuuksien ja loukkaantumisten välttämiseksi.

3. Pidä poissa lasten ulottuvilta.

Tuotteen ja sen osien suoja-uvovit eivät ole lasten leikkikaluja. Muovipussi tai sen sisältämät monet pienet osat voivat suuhun joutuessaan aiheuttaa tukehtumisvaaran. Älä yritä purkaa tuotetta itse. Käyttäjät eivät voi vaihtaa tai korjata mitään laitteen sisällä olevia osia.

Vain valtuutettu jälleenmyyjä tai huoltoliike saa avata tuotteen. Jos jokin laitteen osa on vaihdettava jostain syystä, kuten normaalin kulumisen tai rikkoutumisen vuoksi, ota yhteys jälleenmyyjään. Vältä tuotteen altistumista sateelle tai nesteille.

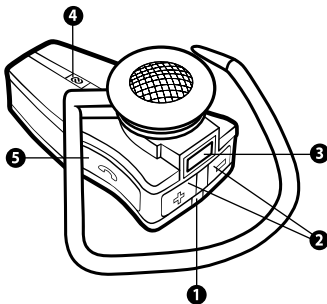
Hävität tuote paikallisten määräysten ja säädösten mukaisesti.
www.gnnetcom.com/weee

4. ACA TS028 – Käyttäminen syttyvien kaasujen läsnä ollessa

Älä käytä kuuloketta paikassa, jossa on syttyvien kaasujen aiheuttava räjähdysvaara.

Jabra JX10 cara -kuulokkeen käyttö

1. Merkkivalo
 - Sininen osoittaa laitteen tilaa (yhdistämis-, käyttö- tai valmiustila)
 - Punainen/vihreä osoittaa akun lataustasoa (virta lopussa, lataus käynnissä tai latautunut)
2. Lisää äänenvoimakkuutta (+), vähemmän äänenvoimakkuutta (-)
3. Latausliitäntä
4. Yhdistämissäkinä – voit asettaa kuulokkeen yhdistämistilaan **painamalla**
5. Vastaus-/lopetuspäkinä
 - Voit ottaa kuulokkeen käyttöön **painamalla** (sininen valo välähtää ja kertoo toimenpiteen onnistuneen)
 - Voit poistaa kuulokkeen käytöstä **painamalla ja pitämällä alhaalla** (sininen valo välähtää ja kertoo toimenpiteen onnistuneen)
 - Voit vastata puheluun tai lopettaa sen **napsauttamalla**



Kuulokkeen ominaisuudet

Jabra JX10 cara -kuulokkeen avulla voit käyttää kaikkia seuraavia toimintoja (jos puhelimesi tukee niitä):

- Puheluun vastaaminen
- Puhelun lopetus
- Puhelun hylkääminen*
- Äänikomentojen käyttö*
- Viimeisen numeron uudelleenvälitys*
- Koputus*
- Puhelun asettaminen pitoon*

* Määräytyy puhelinmallin mukaan

Laitteen ominaisuudet

- Puheaika jopa 6 h ja valmiusaika jopa 200 h
- Batterie rechargeable, compatible avec tout chargeur d'alimentation en courant alternatif, PC via câble USB, chargeur de bureau ou de voiture (non fourni).
- Alle 10 grammaa
- Kantomatka jopa 17 metriä
- Kuuloke- ja hands-free -Bluetooth-profiilit
- Bluetooth-ominaisuudet (katso **sanasto**) versio 1.2

ALOITUSOPAS

Jabra JX10 cara -kuuloketta on helppo käyttää. Kuulokkeen vastaus-/lopetuspainike toimii eri tavalla sen mukaan, kuinka pitkään sitä painetaan.

Ohjeet	Painamisen kesto
Napsauta	Paina lyhyesti
Napsauta kaksi kertaa	Kaksi nopeasti toistettavaa napsautusta
Paina	Noin 1 sekunti
Pidä painettuna	Noin 2–3 sekuntia

1 Kuulokkeen lataaminen

Varmista ennen käyttöä, että Jabra JX10 cara -kuulokkeesi on täysin latautunut. Käytä pistorasiaan kytkettyä verkkomuuntajaa tai lataa suoraan tietokoneesta laitteen mukana tulleen USB-kaapelin avulla. Lisätietoja on kuvassa 3. Kytke kuuloke kuvan 2 mukaisella tavalla.

Kun merkkivalo palaa tasaisesti punaisena, kuulokkeesi on latautumassa.

Kun merkkivalo palaa vihreänä, se on täysin latautunut.

Lataaminen pöytätelineen avulla

Kytke USB-kaapeli tai muuntaja pöytätelineeseen. Aseta JX10 cara telineeseen kuvassa 3 esitetyllä tavalla.

Huomautus: Akun käyttöikä lyhenee huomattavasti, jos laite on pitkään lataamatta. Suosittelemme sen vuoksi laitteen lataamista vähintään kerran kuukaudessa.


2 Kuulokkeen ottaminen käyttöön ja poistaminen käytöstä

- Voit ottaa kuulokkeen käyttöön **painamalla** vastaus-/lopetuspainiketta.
- Voit poistaa kuulokkeen käytöstä **painamalla** vastaus-/lopetuspainiketta **ja pitämällä sen painettuna**.

3 Yhdistäminen matkapuhelimeen

Jabra JX10 cara -kuuloke on yhdistettävä matkapuhelimeen ennen käyttöä.

1. Aseta kuuloke yhdistämistilaan

- Varmista, että kuuloke on otettu käyttöön.
- **Paina** -merkillä varustettua yhdistämispainiketta.

2. Aseta Bluetooth-puhelin löytämään Jabra JX10 cara

Noudata puhelimen käyttöoppaan ohjeita. Yleensä ensin siirrytään **puhelimien** asetus-, yhteys- tai Bluetooth-valikkoon, josta valitaan sitten toiminto, jolla löydetään tai lisätään Bluetooth-laite. * *(Tyypillistä matkapuhelinta kuvaava esimerkki on kuvassa 6).*

3. Puhelin löytää Jabra JX10 cara -kuulokkeen

Puhelin kysyy, haluatko yhdistää kuulokkeen siihen. Hyväksy painamalla puhelimen Kyllä- tai OK-painiketta ja vahvista antamalla **salasana tai PIN-koodi, joka on 0000 (4 nollaa)**.

Puhelin vahvistaa yhdistämisen, kun se on valmis. Jos yhdistäminen epäonnistuu, suorita vaiheet 1-3 uudelleen.

4 Käytä kuuloketta haluamallasi tavalla

Jabra JX10 cara on valmis käytettäväksi oikeassa korvassa. Jos haluat käyttää kuuloketta vasemmassa korvassa, poista korvakiinnike varovasti ja käännä sitä. *(Katso kuvaa 4).*

5 Kuulokkeen käyttö

Puheluun vastaaminen

- Voit vastata puheluun **napsauttamalla** kuulokkeen vastaus-/lopetuspainiketta.

Puhelun lopettaminen

- Voit lopettaaksesi meneillään olevan puhelun **napsauttamalla** kuulokkeen vastaus-/lopetuspainiketta.

Puhelun soittaminen

- Kun soitat puhelun matkapuhelimesta, puhelu siirtyy (puhelimen asetusten mukaisesti) automaattisesti kuulokkeeseen. Jos puhelin ei tue tätä toimintoa, voit siirtää puhelun kuulokkeeseen napsauttamalla Jabra JX10 cara -kuulokkeen vastaus-/lopetuspainiketta.

Puhelun hylkääminen*

- Voit hylätä tulevan puhelun **painamalla** puhelimen soidessa vastaus-/lopetuspainiketta. Puhelimesi asetusten mukaisesti puhelu siirtyy puhelinvastaajaasi tai soittaja kuulee varattu-äänen.

Äänikomentojen käyttöönotto*

- Paina vastaus-/lopetuspainiketta. Parhaan tuloksen saat tallentamalla äänikomennot kuulokkeesi kautta. Lisätietoja tämän toiminnon käytöstä saat puhelimesi käyttöoppaasta.

Viimeisen numeron uudelleenvalinta*

- Kaksoisnapsauta kuulokkeen vastaus-/lopetuspainiketta, kun kuulokkeeseen on kytketty virta eikä se ole käytössä.

Ääniasetukset ja äänenvoimakkuuden säätö

- Voit säätää äänenvoimakkuutta **painamalla** äänenvoimakkuuden säätöpainiketta ylös- tai alaspäin (+ tai -). (*Katso kuva 1*).

Koputus ja puhelun asettaminen pitoon*

Tämän toiminnon avulla voit asettaa käynnissä olevan puhelun pitoon ja vastata odottavaan puheluun.

- Voit asettaa meneillään olevan puhelun pitoon ja vastata odottavaan puheluun **painamalla** vastaus-/lopetuspainiketta kerran.
- Voit vaihdella puheluiden välillä **painamalla** vastaus-/lopetuspainiketta.
- Voit lopettaa meneillään olevan puhelun **napsauttamalla** vastaus-/lopetuspainiketta.

*** Tähdellä * merkityt toiminnot ovat käytössä ainoastaan, jos puhelimesi tukee niitä. Lisätietoja saat puhelimesi käyttöoppaasta.**

6 Merkkivalojen merkitys

Merkkivalo:	Kuulokkeen toimintaan liittyvä merkitys:
Vilkkuva sininen merkkivalo	Vilkkuu sekunnin välein: puhelu meneillään
Vilkkuva sininen merkkivalo	Vilkkuu kolmen sekunnin välein: valmiustilassa
Vilkkuva punainen merkkivalo	Akun virta on ehtymässä
Tasaisesti palava punainen merkkivalo	Lataus käynnissä
Tasaisesti palava vihreä merkkivalo	Täysin latautunut
Tasaisesti palava sininen merkkivalo	Yhdistämistilassa – <i>katso osaa 3</i>

7 JABRA JX10 cara:n käyttäminen kahden matkapuhelimen kanssa

Jabra JX10 cara -kuuloke voidaan yhdistää samanaikaisesti kahteen puhelimeen. Näin voit käyttää vain yhtä kuuloketta ja kahta matkapuhelinta luvussa 6 kuvatulla tavalla.

On kuitenkin otettava huomioon, että viimeisen numeron uudelleenvalinta valitsee edellisen puhelun numeron uudelleen matkapuhelimesta riippumatta. Lisäksi äänikomennot ohjaavat vain puhelinta, jonka kanssa edellinen laitepari muodostettiin.

8 Jabra Bluetooth -keskittimen käyttäminen

Jabra JX10 cara on yhteensopiva erikseen ostettavan Jabra Bluetooth -keskittimen kanssa. Sen avulla voit käyttää kuuloketta sekä matkapuhelimen että lankapuhelimen kanssa.

Jabra BT350 -kuulokkeen ja Jabra Bluetooth -keskittimen muodostaminen laitepariksi

Laiteparin muodostaminen tapahtuu hieman eri tavalla:

- Aseta Jabra JX10 cara laiteparinmuodostamistilaan.
- Aseta Jabra Bluetooth -keskittimen laiteparin muodostamistilaan.
- Aseta laitteet lähemmäksi toisiaan. Kahden Jabra-tuotteen yhdistämiseen ei tarvita erillistä PIN-koodia. Jabra Bluetooth -keskittimen käyttöohjeessa on lisätietoja Bluetooth-keskittimen yhdistämisestä lankapuhelimeen.

Jabra JX10 cara toimii Jabra Bluetooth -keskittimen kanssa lähes samalla tavalla kuin pelkän matkapuhelimen kanssa. Ainoa ero on puhelun siirtämisessä lankapuhelimesta kuulokkeeseen.

Puhelun siirtäminen kuulokkeeseen

- Voit siirtää puhelun pöytäpuhelimesta kuulokkeeseen Jabra Bluetooth-keskittimen avulla.

Jabra JX10 cara voi vastata puhelimeen automaattisesti, jos lankapuhelimesta on automaattinen kuulokkeennostin.

GB

F

9 Vianmääritys ja usein kysytyt kysymykset

DE

Kuulen häiriöäänä

Äänenlaatu on paras, kun käytät sankaluureja ja matkapuhelinta kehon samalla puolella.

IT

Sankaluureista ei kuulu mitään

- Nosta sankaluurien äänenvoimakkuutta.
- Varmista, että sankaluurit ja matkapuhelin muodostavat laiteparin.
- Varmista, että puhelin on kytketty sankaluureihin – jos kytkentä ei muodostu puhelimen Bluetooth-valikosta tai napauttamalla vastaus-/lopetusnäppäintä, noudata laiteparin muodostuksen ohjeita (**katso osio 3**).

NL

ES

DK

SU

Laiteparin muodostamisessa on ongelmia, vaikka puhelin ilmoittaa muuta

Sankaluurien laitepariyhteys on voitu poistaa matkapuhelimesta. Noudata kohdassa 3 esitettyjä ohjeita laiteparin muodostamiseksi.

SE

NO

PT

GR

10 Tarvitsetko lisäapua?

Lisätietoja saat sisäkannesta.

11 Sankaluurien hoito

- Säilytä Jabra JX10 cara aina virta pois kytkettynä ja hyvin suojattuna.
- Vältä säilyttämistä ääriämpötiloissa (yli 45 °C tai alle -10 °C). Älä myöskään säilytä suorassa auringonvalossa. Tämä voi lyhentää akun käyttöikää ja haitata toimintaa. Myös suuret lämpötilat voivat haitata toimintaa.
- Älä altista Jabra JX10 cara:aa sateelle tai muille nesteille.

12 Huolto- ja takuutiedot

Yhden vuoden rajoitettu takuu

GN Netcom AS ("GN") takaa, että tämä tuote on materiaalien ja valmistustyön osalta jäljempänä lueltujen ehtojen ollessa voimassa virheetön kahden (2) vuoden ajan ostopäivästä sen ostopäivästä ("takuu aika"). GN korjaa tai vaihtaa tämän tuotteen vialliset osat oman harkintansa mukaisesti ("takuu huolto"). Jos korjaaminen tai vaihtaminen ei ole taloudellisesti järkevää tai aikaa kuluu liikaa, GN voi hyvittää tuotteen ostohinnan. Korjaaminen tai vaihtaminen tämän takuun nojalla ei aloita uutta takuukaikta.

Takuuhuollon saaminen

Saat takuuhoiltoa ottamalla yhteyden GN:n jälleenmyyjään, jolta ostit tämän tuotteen. Lisätietoja tuesta on osoitteissa www.gnnetcom.com tai www.jabra.com.

Palauta tämä tuote jälleenmyyjälle tai lähetä se jälleenmyyjälle tai GN:lle alkuperäisessä tai yhtä hyvin suojaavassa pakkauksessa (jos osoitteissa www.gnnetcom.com tai www.jabra.com kehoitetaan tekemään näin).

Vastaa tuotteen lähetyksistä GN:lle. Jos tuotteen takuu on voimassa, GN maksaa tuotteen palauttamisen tämän takuun nojalla tehdyn huollon jälkeen. Jos takuu ei ole voimassa tai takuukorjausta ei tarvita, maksat tuotteen paluukuljetuksen.

Seuraavat on esitettävä takuuhuollon saamiseksi: (a) tuote ja (b) ostotodistus, josta käy selvästi ilmi myyjän nimi ja osoite, ostopäivä ja tuotteen tyyppi. Nämä tiedot todistavat, että takuu aika on voimassa. Liitä mukaan myös (c) palautusosoite, (d) puhelinnumero, josta sinut tavoitetaan päivisin ja (e) palautuksen syy.

Koska GN/Jabra pyrkivät vähentämään ympäristöön joutuvaa jätteen määrää, tuotteessa voi olla kunnostettuja osia, jotka sisältävät kunnostettuja käytettyjä komponentteja. Kaikki käytetyt osat täyttävät GN/Jabran tiukat laatu-, tehokkuus- ja luotettavuusvaatimukset. Vaihdetut osat tai komponentit ovat GN:n omaisuutta.

Takuun rajoitus

Tämä takuu on voimassa vain alkuperäiselle ostajalle. Takuu päättyy automaattisesti, jos tämä laite myydään tai luovutetaan toiselle osapuolelle. GN:n myöntämä takuu koskee vain omaan käyttöön hankittuja laitteita, ei jälleenmyytyjä laitteita. Tämä takuu ei ole voimassa, jos tuote on myyty "sellaisenaan" ilman takuuta.

Mitkään takuut eivät kata normaalille kulumiselle alttiita kulutusosia, kuten mikrofonin tuulisuojuksia, korvatyynyjä, liittimiä, pintakoristeluita, akkuja ja muita lisävarusteita.

Takuu raukeaa, jos tuotteen sarjanumero, päivämäärämerkintä tai tuotemerkinä on poistettu tai jos niitä on muutettu.

Tämä takuu ei kata kosmeettisia vaurioita tai vaurioita, jotka on aiheuttanut väärinkäyttö, laiminlyönti, luonnonvoimat, purkamisen tai tuotteen osien muuttaminen. Tämä takuu ei kata vikoja, jotka johtuvat virheellisestä käytöstä, huollosta tai asennuksesta tai muiden kuin GN:n tai GN:n huoltotoihin valtuuttaman jälleenmyyjän tekemistä korjausyrityksistä. Takuu raukeaa, jos laitteeseen tehdä muita kuin valtuutettuja huoltotoimia.

GB

TÄMÄ TAKUU KATTAI VAIN KORJAAMISEN TAI VAIHTAMISEN. GN EI OLE VASTUUSSA MISTÄÄN SATUNNAISISTA TAI VÄLILLISISTÄ VAHINGOISTA, JOTKA AIHEUTUVAT ILMAISTUN TAI YMMÄRRETYN TAKUUN LAIMINLYÖNNISTÄ. LAINSÄÄDÄNNÖN PAKOTTAMISSA RAJOISSA TÄMÄN TAKUUN LISÄKSI MITÄÄN MUITA TAKUITA EI MYÖNNETÄ, EI NIMENOMaisesti EIKÄ KONKLUDENTTISESTI SUULLISESTI TAI KIRJALLISESTI ILMAISTUA TAKUUTA, MUKAAN LUKIEN TUOTTEEN TALOUDELLISTA HYÖDYNNETTÄVYYTTÄ JA SOPIVUUTTA TIETTYYN TARKOITUKSEEN KOSKEVAT TAKUUT.

IT

HUOMAUTUS! Tämä takuu antaa käyttäjälle tiettyjä laillisia oikeuksia. Käyttäjällä voi olla myös muita, maittain vaihtelevia oikeuksia. Tämä ei rajoita niitä oikeuksia, joita asiakaalla on sellaisen paikallisen lainsäädännön nojalla, josta ei voida toisin sopia. Takuu ei kuitenkaan rajoita lainsäädännön käyttäjille antamia oikeuksia.

NL

ES

DK

13 Sertifiointi ja turvallisuushyväksynät

SU

CE
Tämä laite on CE-hyväksytty radio- ja telepäätelaitedirektiivin R & TTE (1999/5/EY) määräysten mukaisesti.

SE

GN Netcom vakuuttaa täten, että tuote on direktiivin 1999/5/EY olennaisten vaatimusten ja muiden asiaankuuluvien määräysten mukainen.

NO

Lisätietoja osoitteesta <http://www.jabra.com>

PT

GR

Tämä laite on tarkoitettu käytettäväksi seuraavissa EU-maissa: Belgia, Espanja, Hollanti, Irlanti, Iso-Britannia, Italia, Itävalta, Kreikka, Kypros, Latvia, Liettua, Luxemburg, Malta, Portugali, Puola, Ranska, Ruotsi, Saksa, Slovakia, Slovenia, Suomi, Tanska, Tshekki, Unkari, Viro, ja Efta-maissa: Islanti, Norja ja Sveitsi.

Bluetooth

The *Bluetooth®-sana*, merkki ja logot ovat Bluetooth SIG, Inc:n omaisuutta, ja GN Netcom käyttää niitä erikoisluvalla. Muut tavamerkit ja kauppanimet ovat omistajiensa omaisuutta.

14 Sanasto

- Bluetooth** on radiotekniikka, joka kytkee matkapuhelimien ja sankaluurien tapaiset laitteet langattomasti toisiinsa lyhyellä matkalla (noin 10 metriä). Lisätietoja on osoitteessa www.bluetooth.com.
- Bluetooth-profiilit** ovat eri tapoja, joiden avulla Bluetooth-laitteet siirtävät tietoja muiden laitteiden kanssa. Bluetooth-yhteensopivat puhelimet tukevat joko sankaluuriprofiilia, HF-profiilia tai kumpaakin. Tietyt profiilit tukemiseksi puhelimen valmistajan on toteutettava tiettyjä pakollisia ominaisuuksia puhelimen ohjelmistoon.
- Laiteparin** muodostus luo yksilöivän salatun linkin kahden Bluetooth-laitteen välille ja mahdollistaa niiden välisen tiedonsiirron. Bluetooth-laitteet eivät toimi, jos niiden välille ei ole muodostettu laiteparia.
- Salasana tai PIN** on koodi, joka annetaan matkapuhelimeen, jotta se voi muodostaa laiteparin Jabra JX10 cara:n kanssa. Näin puhelin ja Jabra JX10 cara tunnistavat toisensa ja toimivat automaattisesti yhdessä.
- Valmiustilassa** Jabra JX10 cara odottaa passiivisesti puhelua. Kun päätät puhelun matkapuhelimesta, sankaluurit menevät valmiustilaan.



Tuotetta koskevat määräykset noudattavat kunkin maan omia standardeja ja säännöksiä.
www.jabra.com/weee

GB

F

DE

IT

NL

ES

DK

SU

SE

NO

PT

GR

Svenska

Tack.....	100
Om Jabra JX10 cara.....	101
Headsetets funktioner.....	102
Komma igång.....	102
Ladda headsetet.....	102
Slå på och stänga av headsetet.....	103
Para ihop headsetet med telefonen.....	103
Bär headsetet som det passar dig.....	103
Hur gör du för att.....	104
Lampornas betydelse.....	105
Använda Jabra JX10 cara med 2 mobiltelefoner.....	105
Använda en Jabra Bluetooth Hub.....	105
Felsökning och vanliga frågor.....	106
Behöver du mer hjälp?.....	106
Skötsel av headset.....	106
Service- och garantiinformation.....	107
Certifieringar och säkerhetsgodkännanden.....	108
Ordlista.....	109

GB

F

DE

IT

NL

ES

DK

SU

SE

NO

PT

GR

Gratulerar till ditt köp av Jabra JX10 cara Jabra JX10 cara Bluetooth® Headset. Vi hoppas att du skall få mycket nöje med produkten!

Den här bruksanvisningen hjälper dig att komma igång och använda ditt headset på bästa sätt.

VARNING!

Headset kan avge ljud med hög volym och högfrekventa toner. Att utsätta sig för sådana ljud kan leda till permanenta hörselskador. Ljudnivån kan variera beroende på förhållanden som vilken typ av telefon du använder, dess mottagning och volyminställning, och den omgivande miljön. Var vänlig läs nedanstående säkerhetsanvisningar innan du börjar använda detta headset.

Säkerhetsanvisningar

1. Innan du börjar använda denna produkt, följ dessa steg:

- innan du slår på headsetet, vrid ner volymkontrollen till dess lägsta läge,
- slå på headsetet, och justera sedan
- långsamt ljudvolymen till en behaglig nivå.

2. Vid användning av denna produkt

- Håll ljudvolymen på lägsta möjliga nivå och undvik att använda headsetet i bullriga miljöer där du kan vara benägen att öka volymen
- Om du måste öka ljudstyrkan, vrid då upp volymkontrollen långsamt och
- Om du börjar uppleva obehag eller ringljud i öronen, sluta då snarast att använda headsetet och kontakta en läkare.

Om du fortsätter att ha hög ljudvolym kan öronen vänja sig vid ljudstyrkan, vilket i sin tur kan leda till permanenta hörselskador utan att du upplever något obehag.

Att använda headsetet samtidigt som du kör bil, motorcykel, båt eller cyklar kan vara farligt, och är dessutom olagligt i vissa länder. Kontrollera den lokala lagstiftningen. Var försiktig när du använder headsetet samtidigt som du ägnar dig åt någon aktivitet som kräver full koncentration. Vi rekommenderar att du, medan du ägnar dig åt någon sådan aktivitet, tar bort headsetet från öronen eller stänger av det så att du inte distraheras och undviker att drabbas av olyckshändelse eller skador.

3. Förvara utom räckhåll för barn:

De plastpåsar som produkten och tillhörande delar är förpackade i får inte användas som leksaker för barn. Själva påsarna eller de många små delar de innehåller kan medföra kvävningsrisk om de sväljs ned. Försök aldrig montera isär produkten själv. Ingen av de inbyggda komponenterna kan bytas ut eller repareras av användare.

Endast auktoriserade återförsäljare eller servicecenter får öppna produkten. Kontakta din återförsäljare om några delar av din produkt behöver bytas ut av någon anledning, till exempel pga normal förslitning eller skada.

Se till att produkten inte utsätts för regn eller andra vätskor.

Kassera produkten enligt lokala lagar och bestämmelser.

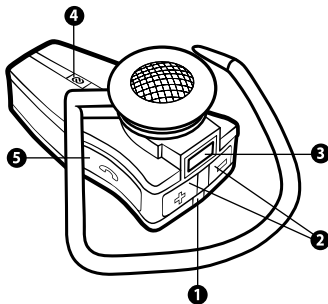
www.gnnetcom.com/weee

4. ACA TS028 – Antändning av brandbara atmosfärer

Använd inte headsetet i omgivningar där det finns risk för antändning av brandbara gaser.

Om Jabra JX10 cara

1. LED-lampa
 - Blått visar läget (ihoppning, aktiv eller standby)
 - Rött/grönt visar batterinivån (låg, laddad eller full)
2. Volym upp (+), volym ned (-)
3. Laddningsuttag
4. Knapp för ihoppning– **tryck på** knappen för att ställa in headsetet i ihoppningsläge
5. Svara/avsluta-knapp
 - **Tryck på knappen** för att slå på headsetet (några blå blinkningar visar att det slagits på)
 - **Tryck på knappen och håll in** den för att stänga av headsetet (några blå blinkningar visar att det stängts av)
 - **Tryck lätt på knappen** för att besvara eller avsluta ett samtal



Headsetets funktioner

Allt det här kan du göra med Jabra JX10 cara (beroende på om telefonen har stöd för funktionen):

- Besvara samtal
- Avsluta samtal
- Avvisa samtal*
- Använda röstuppringning*
- Slå om det senast slagna numret*
- Använda samtal väntar*
- Parkera samtal*

* Telefonberoende funktion

Tekniska data

- Upp till 6 timmars taltid och 200 timmars passningstid
- Uppladdningsbart batteri som kan laddas via nätspänningsadapter, via dator genom USB-kabel, med skrivbordsladdare eller med billaddare (ingår ej)
- Mindre än 10 gram
- Räckvidd upp till 17 meter
- Bluetooth-profiler för headset och handsfree
- Bluetooth-specifikation (se **ordlistan**) version 1.2

KOMMA IGÅNG

Jabra JX10 cara är enkelt att använda. Med knappen svara/avsluta på headsetet kan du utföra olika åtgärder, beroende på hur länge du håller in knappen.

Instruktion:	Längd på nedtryckning:
Kort tryckning	Tryck kortvarigt
Dubbeltryckning	2 Snabbt upprepade tryckningar
Tryck	Ca 1 sekund
Tryck in och håll kvar	Ca 2-3 sekunder

1 Ladda headsetet

Kontrollera att Jabra JX10 cara-headsetet är fulladdat innan du börjar använda det. Använd nätdaptern och ladda via ett nätuttag eller ladda direkt från datorn via den medföljande USB-kabeln, eller via billaddaren - se fig. 3. Anslut headsetet enligt fig. 2.

När LED-lampan lyser med fast rött sken laddas headsetet.

När LED-lampan lyser grön är det fulladdat.

Ladda från skrivbordshållaren

Anslut USB-kabeln/nätspänningsadaptern till skrivbordshållaren. Placera JX10 cara i skrivbordshållaren enligt fig. 3.

Obs! Batteriets livslängd förkortas väsentligt om det får förbli oladdat under en längre tid. Därför rekommenderar vi att du laddar om batteriet minst en gång i månaden.


2 Slå på och stänga av headsetet

- **Tryck på** knappen svara/avsluta för att sätta på headsetet.
- **Tryck på och håll in** knappen svara/avsluta för att stänga av headsetet.

3 Para ihop headsetet med telefonen

Innan du använder Jabra JX10 cara måste du para ihop headsetet med en mobiltelefon.

1. Ställ in headsetet i ihoppningsläget

- Kontrollera att headsetet är på.
- **Tryck på** ihoppningsknappen, märkt .

2. Ställ in Bluetooth-telefonen för att "upptäcka" Jabra JX10 cara

Följ instruktionerna i användarhandboken för telefonen. Vanligtvis går du till menyn "inställning", "anslutning" eller "Bluetooth" **på telefonen** och väljer alternativet "upptäcka" eller "lägga till" en Bluetooth-enhet. * (*Se exemplet med en typisk mobiltelefon på bild 6*).

3. Telefonen upptäcker Jabra JX10 cara

Du får en fråga om du vill para ihop telefonen med headsetet. Acceptera genom att trycka på "Ja" (Yes) eller "OK" på telefonen och bekräfta med **lösenord eller PIN-kod = 0000 (4 nollor)**.

En bekräftelse visas när enheterna parats ihop. Om det inte går att para ihop enheterna, upprepa då steg 1 till 3.

4 Bär headsetet som det passar dig

Jabra JX10 cara är färdig att fästas på höger öra. Om du hellre använder det vänstra örat tar du försiktigt bort öronkroken och snurrar den så att den passar på vänster öra. (*Se bild 4*).

GB

F

5 Hur gör du för att ...

DE

Besvara ett samtal

- Tryck lätt på knappen svara/avsluta på headsetet för att ta emot ett samtal.

IT

Avsluta ett samtal

- Tryck lätt på knappen svara/avsluta för att avsluta ett pågående samtal.

NL

ES

Ringa ett samtal

- När du ringer ett samtal från mobiltelefonen, så överförs det (beroende på telefonens inställningar) automatiskt till headsetet. Om telefonen inte har stöd för den här funktionen trycker du lätt på knappen svara/ta emot på Jabra JX10 cara för att överföra samtalet till headsetet.

DK

SU

SE

Avvisa ett samtal*

- Tryck på knappen svara/avsluta när telefonen ringer om du vill avvisa ett ankommande samtal. Beroende på telefoninställningarna, så vidarebefordras personen som ringer till röstbrevlådan, eller så hörs en upptagetton.

NO

PT

Aktivera röstuppringning*

- Tryck på knappen svara/avsluta. Du får bäst resultat om du spelar in röstuppringningsfrasen via headsetet. Du kan läsa mer om den här funktionen i bruksanvisningen till telefonen.

GR

Använda funktionen återuppringning*

- Dubbeltryck på knappen svara/avsluta när headsetet är påslaget och inte används.

Ändra ljud och volym

- Tryck på volym upp eller ned (+ eller -) för att ändra volymen. (Se bild 1).

Samtal väntar och parkera samtal*

Med den här funktionen kan du parkera ett pågående samtal och besvara ett samtal som väntar.

- Tryck en gång på knappen svara/avsluta för att parkera det pågående samtalet och besvara det väntande samtalet.
- Tryck på knappen svara/avsluta för att växla mellan de två samtalen.
- Tryck lätt på knappen svara/avsluta för att avsluta det pågående samtalet.

* Funktioner som är markerade med * är beroende av om telefonen har stöd för dessa funktioner. Mer information finns i användarhandboken för telefonen.

6 Lampornas betydelse

Vad som visas	Vad det betyder för headsetet
Blinkande blå lampa	Blinkar varje sekund: samtal aktivt
Blinkande blå lampa	Blinkar varje tredje sekund: standbyläge
Blinkande röd lampa	Batteriet börjar ta slut
Lampa med fast rött sken	Laddar
Lampa med fast grönt sken	Fulladdat
Lampa med fast blått sken	Ihoppningsläge – <i>se avsnitt 3</i>

7 Använda Jabra JX10 cara med 2 mobiltelefoner

Jabra JX10 cara kan användas tillsammans med två mobiltelefoner om samtidigt är kopplade till headsetet. Det betyder att du kan använda samma headset till båda mobiltelefonerna, och styra funktionerna i headsetet enligt beskrivningen i avsnitt 6.

Du måste bara komma ihåg att återuppringning av senast slagna nummer kommer att slå numret för senaste utgående samtalet, oberoende av mobiltelefon, och att funktionen röstuppringning bara fungerar med den senast ihopparade mobiltelefonen.

8 Använda en Jabra Bluetooth Hub

Jabra JX10 cara kan användas tillsammans med Jabra Bluetooth Hub (säljs separat). Det gör att du kan använda headsetet med både mobiltelefon och bordstelefon.

Para ihop Jabra JX10 cara med Jabra Bluetooth Hub

Ihoppningsproceduren är lite annorlunda:

- Ställ in Jabra JX10 cara i ihoppningsläge.
- Ställ in Jabra Bluetooth Hub i ihoppningsläge.
- Placera dem nära varandra. Du behöver ingen särskild PIN-kod för att para ihop de två Jabra-produkterna. I bruksanvisningen till Jabra Bluetooth Hub kan du läsa mer om hur du kopplar Bluetooth Hub till bordstelefonen.

Användning av Jabra JX10 cara tillsammans med Jabra Bluetooth Hub påminner mycket om användning av headsetet tillsammans med bara en mobiltelefon. Den enda skillnaden är sättet att överföra av samtal till headsetet från en bordstelefon.

Överföra samtal till headsetet

- Tryck lätt på knappen svara/avsluta för att överföra samtalet från bordstelefonen till headsetet via Jabra Bluetooth Hub.

Besvarande av samtal med bordstelefonen kräver en klyklyftare för att Jabra JX10 cara ska kunna besvara samtalet automatiskt.

GB

F

9 Felsökning och vanliga frågor

DE

Jag hör skrapande störningsljud

För bäst ljudkvalitet bör du alltid bära headsetet på samma sida av kroppen som mobiltelefonen.

IT

Jag hör ingenting i mitt headset

- Öka volymen på headsetet.
- Kontrollera att headsetet är länkat till telefonen.
- Kontrollera att telefonen är ansluten till headsetet – om den inte kan anslutas från telefonens Bluetooth-meny eller genom att trycka lätt på svara-/avslutaknappen – följ anvisningarna för länkning (*se avsnitt 3*).

DK

Jag har problem att länka trots att telefonen inte visar något fel

Du kanske har raderat länkningsinformationen från mobiltelefonen. Följ anvisningarna för länkning i avsnitt 3.

SU

SE

Fungerar Jabra JX10 cara med annan Bluetooth-utrustning?

Jabra JX10 cara är konstruerad för att fungera tillsammans med mobiltelefoner som har Bluetooth. Enheten kan också fungera tillsammans med andra Bluetooth-enheter som är kompatibla med Bluetooth version 1.1 eller 1.2 och som har stöd för headset och/eller handsfree-utrustning.

NO

PT

Jag kan inte använda Avvisa samtal, väntande samtal, återuppringning eller röstuppringning

Din telefon måste också ha stöd för dessa funktioner. Läs telefonens bruksanvisning för ytterligare information.

GR

10 Behöver du mer hjälp?

På omslagets insida finns mer information.

11 Skötsel av headset

- Förvara alltid Jabra JX10 cara med strömmen avstängd och på lämplig skyddad plats.
- Förvara inte enheten vid extrema temperaturer (över 45 °C – inte heller i direkt solljus – eller under -10 °C). I så fall kan batteriets livslängd förkortas, och funktionen försämras. Höga temperaturer kan också försämra funktionen.
- Utsätt inte Jabra JX10 cara för regn eller andra vätskor.

12 Service- och garantiinformation

Begränsad två (2) års garanti

GN Netcom AS ("GN"), garanterar att denna produkt är felfri vad gäller material och utförande (enligt nedan angivna villkor) under en tidsperiod på två (2) år räknat från inköpsdatum ("Garantiperiod"). Under garantiperioden, kommer GN att reparera eller (efter GN:s eget gottfinnande) byta denna produkt eller varje defekt del i den ("Garantiservice"). Om reparation eller byte inte är kommersiellt möjligt eller inte kan göras i tid, kan GN välja att till köparen återbetala inköpspriset för den skadade produkten. Reparation eller byte enligt villkoren för denna garanti ger ingen rätt till utökning av eller nytt startdatum för garantin.

Reklamationer enligt garantin

För att erhålla Garantiservice, var vänlig kontakta den GN-säljare som du köpt produkten av eller besök www.gnnetcom.com eller www.jabra.com för mer information om kundsupport.

Du kommer att behöva återlämna denna Produkt till säljaren eller skicka den till säljaren eller till GN (om så anges på www.gnnetcom.com eller www.jabra.com) antingen i dess originalförpackning eller en paketering som ger samma skydd åt produkten.

Du kommer att själv få bekosta transporten av produkten till GN. Om Produkten täcks av garantin, kommer GN att betala kostnaden för att transportera produkten tillbaka till dig efter avslutad service enligt denna garanti. Återtransporten kommer att debiteras dig för produkter som inte täcks av garantin eller som inte kräver någon garantireparation.

Följande uppgifter måste lämnas för att få Garantiservice: a) produkten och b) inköpsbevis, som klart visar säljarens namn och adress, inköpsdatum och typ av produkt, som visar att garantin fortfarande gäller för denna produkt. Var vänlig att även inkludera c) returadressen till dig, d) telefon dagtid och e) orsaken till returen.

Som en del i GN/Jabras ansträngningar att minska miljöpåverkande avfall, bör du känna till att produkten kan bestå av reparerad utrustning som innehåller begagnade komponenter, av vilka en del har återanvänts. De begagnade komponenterna uppfyller samtliga GN/Jabras höga kvalitetskrav och GN:s specifikationer på produktprestanda och driftsäkerhet. Var vänlig beakta att utbytta delar eller komponenter övergår i GN:s ägo.

Begränsningar i garantin

Denna garanti gäller bara för den ursprungliga köparen och kommer automatiskt att upphöra att gälla före dess förfallodatum om produkten säljs eller på annat sätt överförs till annan part. Den garanti som ges av GN enligt detta meddelande gäller bara för produkter som köpts för användning, inte för vidareförsäljning. Den gäller inte för "open box"-köp, där försäljningen skett "i befintligt skick" och utan någon garanti.

Speciellt undantagna från garantin är förbrukningskomponenter föremål för normal förlitning, vindskydd för mikrofoner, öronkuddar, modulpluggar, öronspetsar, dekorationer, batterier och andra tillbehör.

GB

Denna garanti gäller ej om den fabriksgjorda tryckningen av serienummer, datumkod eller produktmärkning har ändrats eller tagits bort från denna produkt.

F

Denna Garanti täcker inte kosmetiska skador eller skador som beror på felaktig användning, vanvård, försumlighet, force majeure, olyckshändelse, demontering eller modifiering av produkten eller del i denna. Denna Garanti täcker inte skador som beror på felaktig användning, underhåll eller installation, eller försök till reparation av annan än GN eller en GN-säljare som är behörig att utföra garantiarbete åt GN. Allt obehörigt arbete upphäver denna garanti.

DE

IT

REPARATION ELLER BYTE ENLIGT DENNA GARANTI ÄR DEN ENDA GOTTGÖRELSE SOM ERBJUDS KUNDEN. GN SKA INTE HÅLLAS ANSVARIG FÖR NÅGRA OFÖRUTSEDDA ELLER INDIREKTA SKADOR ORSAKADE AV BROTT MOT VARJE UTTRYCKT ELLER UNDERFÖRSTÅDD GARANTI FÖR DENNA PRODUKT. FÖRUTOM DET SOM ÄR FÖRBUJDET I LAG, ÄR DENNA GARANTI EXKLUSIV OCH ERSÄTTER ALLA ANDRA UTTRYCKTA OCH UNDERFÖRSTÅDDA GARANTIER, INKLUDERANDE MEN INTE BEGRÄNSAT TILL GARANTIN FÖR SÄLJBARHET OCH LÄMPLIGHET FÖR ETT PRAKTISKT SYFTE.

NL

ES

DK

SU

SE

OBS! Denna garanti ger dig specifika, lagstadgade rättigheter. Du kan ha andra rättigheter, som kan variera från plats till plats. Vissa jurisdiktioner tillåter inte uteslutning eller begränsning av oförutsedda eller indirekta skador eller underförstådda garantier, varför ovanstående undantag kanske inte gäller dig. Denna garanti påverkar inte dina lagenliga (lagstadgade) rättigheter enligt tillämpliga nationella eller lokala lagar.

NO

PT

GR

13 Certifieringar och säkerhetsgodkännanden

CE
Den här produkten är CE-märkt i enlighet med bestämmelserna i direktivet R & TTE (1999/5/EG). GN Netcom intygar härmed att den här produkten uppfyller de nödvändiga kraven och övriga relevanta bestämmelser i direktivet 1999/5/EG.

Mer information finns på <http://www.jabra.com>

Inom EU är denna enhet avsedd att användas i Belgien, Cypern, Danmark, Estland, Finland, Frankrike, Grekland, Irland, Italien, Lettland, Litauen, Luxemburg, Malta, Nederländerna, Polen, Portugal, Slovakien, Slovenien, Spanien, Storbritannien, Sverige, Tjeckien, Tyskland, Ungern samt Österrike, och inom EFTA i Island, Norge och Schweiz.

Bluetooth

The *Bluetooth*®-produktnamnet och tillhörande logotyper ägs av Bluetooth SIG, Inc. och all användning av sådana varumärken av GN Netcom sker på licens. Övriga varumärken och produktnamn tillhör respektive ägare.

14 Ordlista

- Bluetooth** är en radioteknik som används för att ansluta enheter till varandra. Det kan röra sig om mobiltelefoner och headset, utan kablar eller sladdar, och avståndet är relativt kort (cirka 10 meter). Mer information finns på www.bluetooth.com.
- Bluetooth-profiler** är olika sätt som Bluetooth-enheterna använder för att kommunicera med andra enheter. Bluetooth-telefoner stöder antingen headset-profil, handsfree-profil eller båda. För att kunna stödja en viss profil måste telefontillverkaren lägga in vissa obligatoriska funktioner i telefonens programvara.
- Länkning** innebär att man skapar en unik och krypterad länk mellan två Bluetooth-enheter, varpå dessa kan kommunicera med varandra. Bluetooth-enheter fungerar inte om enheterna inte länkats.
- Lösenord eller PIN-kod** är en kod som knappas in på mobiltelefonen för att länka den till Jabra JX10 cara. Telefonen och Jabra JX10 cara känner då igen varandra och arbetar automatiskt tillsammans.
- Viloläget (standby)** är när Jabra JX10 cara passivt väntar på ett samtal. När man avslutar ett samtal på mobiltelefonen så växlar headsetet över till viloläget.



Kassera produkten enligt lokala lagar och bestämmelser.
www.jabra.com/weee

GB

F

DE

IT

NL

ES

DK

SU

SE

NO

PT

GR

Norsk

Tusen takk	112
Om Jabra JX10 cara	113
Hodesettets funksjoner	114
TA I BRUK HODESETTET	114
Lad opp headsettet	114
Slå av og på hodesettet	115
Pare den med telefonen	115
Ha den på slik du liker best	115
Hvordan	116
Hva lysene betyr	117
Bruk av Jabra JX10 cara med to mobiltelefoner	117
Bruk av en Jabra Bluetooth-hub	117
Feilsøking og ofte stilte spørsmål	118
Behov for mer hjelp?	118
Ta vare på hodesettet	118
Informasjon om service og garanti	119
Sertifikater og sikkerhetsgodkjenninger	120
Ordliste	121

GB

F

DE

IT

NL

ES

DK

SU

SE

NO

PT

GR

Tusen takk

Tusen takk for at du har kjøpt Bluetooth® hodesettet Jabra JX10 cara. Vi håper du får mye glede av det! Denne brukerveiledningen vil sørge for at du kommer i gang, slik at du får mest mulig ut av ditt hodesett.

ADVARSSEL!

Headsett kan avgi lyd med kraftig volum og toner med høy frekvens. Å utsette seg for slike lyder kan føre til permanent hørselsskade. Volumnivået kan variere avhengig av forholdene, blant annet hvilken telefon du bruker, telefonens mottaks- og voluminnstillinger, og miljøet den brukes i. Vi ber deg derfor lese sikkerhetsanvisningene nedenfor før du tar dette headsettet i bruk.

Sikkerhetsanvisninger

1. Gå igjennom følgende trinn før du tar i bruk dette produktet:

- Skru volumkontrollen ned på laveste nivå før du tar på deg headsettet.
- Ta på deg headsettet.
- Skru volumkontrollen langsomt opp til et komfortabelt nivå.

2. Når du bruker produktet

- Hold volumet på lavest mulig nivå, og unngå å bruke headsettet på steder med høyt støynivå, fordi du da kan bli fristet til å skru opp volumet.
- Hvis det er behov for høyere volum skal volumkontrollen justeres langsomt.
- Hvis du opplever ubehag eller ringelyder i ørene skal du øyeblikkelig slutte å bruke headsettet og ta kontakt med en lege.

Ved fortsatt bruk på høyt volum kan ørene dine venne seg til lydnivået, og det kan påføre deg permanent hørselsskade uten at du opplever noe ubehag.

Bruk av headsett mens du kjører bil, motorsykkel, fartøy eller sykkel kan være farlig, og kan dessuten være forbudt ved lov. Gjør deg kjent med lokal lovgivning. Vær varsom ved bruk av headsettet når du er engasjert i en aktivitet som krever din fulle oppmerksomhet. Hvis du tar headsettet bort fra ørene eller slår det av mens du holder på med en slik aktivitet, kan du unngå å bli distraert, slik at en ulykke eller skade kan unngås.

3. Oppbevares utilgjengelig for barn:

Plastposene som produktet og reservedelene er pakket i, er ikke leketøy for barn. Posene i seg selv, eller de små delene de inneholder, kan føre til kvelning hvis de svelges. Gjør aldri forsøk på å demontere produktet selv. Ingen av komponentene det inneholder kan skiftes eller repareres av brukeren.

Bare godkjente forhandlere eller serviceverksteder kan åpne produktet. Ta kontakt med forhandleren hvis noen deler av produktet må skiftes, av en eller annen grunn, inkludert naturlig slitasje eller brekkasje.

Unngå å utsette dette produktet for regn eller andre væsker.

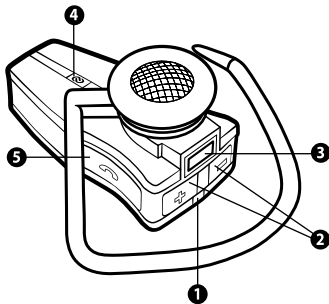
Sørg for at produktet blir kastet i henhold til gjeldende lover og miljøregler.
www.gnnetcom.com/weee

4. ACA TS028 – Antenning av brennbare atmosfærer

Ikke bruk denne hodetelefonen i omgivelser hvor det er fare for antenning av brennbare gasser.

Om Jabra JX10 cara

- Lysdiode (LED)
 - Indikasjonsmodus blå (paring, aktiv eller standby)
 - Indikasjonsmodus rød/grønn for batterinivå (lavt, lader eller oppladet)
- Volum opp (+), volum ned (-)
- Ladebase
- Parings-knapp – **trykk** for å sette hodesettet i paringsmodus
- Svar/avslutt-knapp
 - Trykk** for å slå på hodesett (blå blinking betyr at den er slått på)
 - Trykk og hold** for å slå **av** hodesett (blå blinking betyr at den er slått av)
 - Gi et lett slag** for å svare eller avslutte en samtale



Hodesettets funksjoner

Jabra JX10 cara har følgende funksjoner (avhengig av telefonsystemets begrensninger):

- Telefonsvarer
- Avslutte samtaler
- Avvise samtaler*
- Stemmeoppringing*
- Ringe opp siste nummer*
- Samtale venter*
- Samtale på hold*

*Telefonavhengig

Spesifikasjoner

- Opp til 6 timers taletid og opp til 200 timers standby
- Oppladbart batteri med lademuligheter via AC strømtilførsel, PC via USB, bordlader eller billader (ikke inkludert)
- Mindre enn 17 gram
- Brukerradius på opp til 10 meter
- Hodesett og håndfri Bluetooth-profiler
- Bluetooth-spesifikasjoner (se **ordliste**) versjon 1.2

TA I BRUK HODESETTET

Jabra JX10 cara er enkel i bruk. Svar/avslutt-knappen på hodesettet har forskjellige funksjoner, alt etter hvor lenge du trykker på den.

Aktivering	Nedtrykkingstid
Trykk kort	Kort
Trykk kort to ganger	To korte
Trykk	Ca. ett sekund
Trykk og hold nede	Ca. to til tre sekunder

1 Lad opp headsettet

Pass på at Jabra JX10 cara headsettet er helt oppladet før du begynner å bruke det. Bruk AC-adapteren for å lade opp fra strømuttaket, eller lad direkte fra PC-en med USB-kabelen som følger med eller gjennom billaderen – se figur 3. Koble til headsettet slik det er vist i figur 2.

Når LED-signalet lyser rødt lades headsettet.

Når LED-signalet er grønt er headsettet helt oppladet.

Lad opp fra bordholderen

Koble USB-kabelen/AC-strømadapteren til bordholderen. Plasser JX10 cara i bordholderen slik det er vist i figur 3.

Merk: Levetiden på batteriet vil bli vesentlig redusert hvis utstyret ligger uladet i lengre perioder. Vi anbefaler derfor at du lader opp utstyret minst en gang i måneden.


2 Slå av og på hodesettet

- **Trykk** svar/avslutt-knappen for å slå på hodesettet.
- **Trykk og hold nede** svar/avslutt-knappen for å slå av hodesettet.

3 Pare den med telefonen

Det er nødvendig å du parer Jabra JX10 cara med mobiltelefonen før den kan tas i bruk.

1. Sett hodesettet i paringsmodus

- Slå på hodesettet.
- **Trykk på** parings-knappen merket .

2. Innstill Bluetooth-telefonen slik at den "oppdager" Jabra JX10 cara

Følg telefonens brukermanual. Vanligvis innebærer dette at man finner fram til oppsett-, tilkoblings- eller Bluetooth-meny **på mobilen** og velger oppdag ("discover") eller legg til ("add") et Bluetooth-apparat. * (**Se eksempel på en typisk mobiltelefon på bilde 6.**)

3. Telefonen finner Jabra JX10 cara

Telefonen spør deretter om du ønsker å pare med den. Aksepter ved å trykke på Ja ("Yes") eller OK på telefonen og bekreft med **pin-koden som er 0000 = 4 nulltall.**

Telefonen vil bekrefte når paring er opprettet. Hvis paringen ikke er vellykket, gjentas trinn 1 til 3.

4 Ha den på slik du liker best

Jabra JX10 cara er klar til å bæres på høyre øre. Ønsker du i stedet å ha den på det venstre øret, er det bare å rotere øretelefonen forsiktig 180 grader. (**Se bilde 4.**)

GB

F

5 Hvordan...

DE

...svare på en samtale

- Slå lett på svar/avslutt-knappen på hodesettet for å svare på en samtale.

IT

...avslutte en samtale

- Slå lett på svar/avslutt-knappen for å avslutte en samtale.

NL

ES

...ringe

- Når du ringer fra din mobiltelefon vil samtalen (betinget av oppsettet i telefonen) automatisk overføres til hodesettet. Hvis denne funksjonen ikke kan brukes på din telefon, slår du lett på Jabra JX10 caras svare/avslutte-knapp for å overføre samtalen til hodesettet.

DK

SU

...avvise en samtale*

- Trykk svar/avslutt-knappen når telefonen ringer for å avvise samtalen. Alt etter innstillingene på mobilen, vil den som ringer bli videresendt til telefonsvarer eller høre et opptattsignal.

SE

NO

...Aktivere stemmeaktivert oppringing*

- Trykk på svar/avslutt-knappen. Du oppnår best resultat hvis du spiller inn stemmestyringssignalet via headsettet. Se brukerhåndboken for telefonen hvis du trenger mer informasjon om denne funksjonen.

PT

GR

...Slå siste nummer på nytt*

- Trykk kort to ganger på svar/avslutt-knappen når headsettet er på og ikke i bruk.

...justere lyd og volum

- Trykk på volum opp eller ned (+ eller -) for å justere volumet. **(Se bilde 1).**

...la samtaler vente og la en samtale stå på hold*

Lar deg sette en samtale på hold for å svare på en ventende samtale.

- **Trykk** svar/avslutt-knappen en gang for å sette en samtale på hold og for å svare på en ventende samtale.
- **Trykk** svar/avslutt-knappen for å skifte mellom de to samtalene.
- **Slå lett på** svar/avslutt-knappen for å avslutte en samtale.

*** Funksjoner markert med stjerne (*) er avhengig av at mobiltelefonen støtter funksjonen. Se mobiltelefonens brukermanual for mer informasjon.**

6 Hva lysene betyr

Hva du ser	Hva det innebærer for hodesettet
Blinkende blått lys	Blinker hvert sekund: aktiv med samtale
Blinkende blått lys	Blinker hvert tredje sekund: i standby-modus
Blinkende rødt lys	Svakt batteri
Rødt lys (blinker ikke)	Lader
Grønt lys (blinker ikke)	Oppladet
Blått lys (blinker ikke)	I paringsmodus – <i>se avsnitt 3</i>

7 Bruk av Jabra JX10 cara med to mobiltelefoner

Du kan koble to mobiltelefoner til Jabra JX10 cara-headsettet samtidig. Dette gir deg mulighet til å betjene begge mobiltelefonene fra headsettet. Funksjonene i headsettet er som angitt i punkt 6.

Vær imidlertid oppmerksom på at gjenoppringning av siste nummer vil slå nummeret på siste utgående anrop, uavhengig av mobiltelefonene, og stemmestyrte oppringning vil bare virke på den sist oppkoblede mobiltelefonen.

8 Bruk av en Jabra Bluetooth-hub

Jabra JX10 cara kan brukes sammen med en Jabra Bluetooth-hub (selges separat). Med denne kan du bruke headsettet med både mobiltelefonen din og kontortelefonen.

Slik kobler du opp Jabra JX10 cara mot Jabra Bluetooth-huben

Oppkoblingsprosedyren her er litt annerledes:

- Sett Jabra JX10 cara i oppkoblingsmodus.
- Sett Jabra Bluetooth-huben i oppkoblingsmodus.
- Sett dem i nærheten av hverandre. Du trenger ikke en egen PIN-kode for å koble sammen de to Jabra-produktene. Se brukerhåndboken for Jabra Bluetooth-huben hvis du trenger mer informasjon om hvordan Bluetooth-huben kobles sammen med kontortelefonen.

Bruken av Jabra JX10 cara med en Jabra Bluetooth-hub er svært lik bruken av headsettet med bare en mobiltelefon. Den eneste forskjellen er i forbindelse med overføringer av anrop til headsettet fra kontortelefonen.

Overføring av anrop til headsettet

- Trykk kort på svar/avslutt-knappen for å overføre anropet fra kontortelefonen til headsettet via Jabra Bluetooth-huben.

Svar på anrop fra kontortelefonen krever en rørvløfter slik at Jabra JX10 cara kan besvare anropet automatisk.

GB

F

9 Feilsøking og ofte stilte spørsmål

DE

Jeg hører spraking

For best mulig lyd kvalitet, bør du alltid ha hodesettet på samme side av kroppen som mobiltelefonen.

IT

NL

Jeg kan ikke høre noe i hodesettet

- Øk lyd volumet på hodesettet.
- Sjekk at hodesettet er sammenkoblet med mobiltelefonen.
- Sørg for at mobiltelefonen er tilkoblet hodesettet. Hvis de ikke vil la seg koble sammen, enten fra mobiltelefonens Bluetooth-meny, eller ved å klikke lett på svar-/avbryt-knappen, må du følge sammenkoblingsprosedyren (*se avsnitt 3*).

DK

SU

Jeg har sammenkoblingsproblemer selv om mobiltelefonen sier noe annet

Du kan ha slettet sammenkoblingen fra mobiltelefonen. Følg sammenkoblingsinstruksjonene i avsnitt 3.

SE

NO

Vil Jabra JX10 cara fungere sammen med annet Bluetooth-utstyr?

Jabra JX10 cara er konstruert for å kunne fungere sammen med Bluetooth mobiltelefoner. Det kan også fungere sammen med andre enheter som er kompatible med Bluetooth versjon 1.1 eller 1.2 og som støtter et hodesett- og/eller en handsfree-profil.

PT

GR

Jeg kan ikke bruke avvis samtale, samtale på venting, tilbakeringing eller stemmeaktivert oppringing

Disse funksjonene er tilgjengelige hvis telefonen har støtte for dem. Se i telefonens brukerveiledning for mer informasjon.

10 Behov for mer hjelp?

Se innsiden av omslaget for mer informasjon

11 Ta vare på hodesettet

- Oppbevar alltid Jabra JX10 cara med strømmen avslått og på et sikkert sted.
- Oppbevar ikke enheten ved ekstreme temperaturer (over 45°C/113°F, inkludert i direkte sollys, eller under -10°C/14°F). Dette kan forkorte batteriets levetid, og kan påvirke bruken. Høye temperaturer kan også redusere ytelsen.
- Ikke utsett Jabra JX10 cara for regn eller andre flytende væsker.

12 Informasjon om service og garanti

2 års begrenset garanti

GN Netcom AS ("GN"), garanterer at dette produktet ikke er beheftet med materialfeil eller produksjonsfeil (underlagt vilkårene som står nedenfor) i en periode på to (2) år fra kjøpsdato ("Garantiperioden"). Under Garantiperioden vil GB reparere eller erstatte (etter GNs eget skjønn) dette produktet eller eventuelle defekte deler ("Garantiservice"). Hvis det ikke er praktisk mulig å foreta reparasjon eller erstatte produktet innenfor rimelig tid, kan GN velge å refundere prisen du betalte for det aktuelle produktet. Reparasjon eller erstatning i henhold til vilkårene i denne garantien gir ikke rett til noen forlengelse eller ny start på garantiperioden.

Krav i henhold til garantien

For å få Garantiservice må du ta kontakt med GN-forhandleren der du kjøpte produktet eller gå inn på <http://www.gnnetcom.com/> eller www.jabra.com for mer informasjon om kundestøtte.

Du må returnere Produktet til forhandleren eller sende det til forhandleren eller til GN (hvis dette framgår på www.gnetcom.com eller www.jabra.com) enten i originalemballasjen eller annen innpakning som gir tilsvarende grad av beskyttelse.

Du må bære kostnadene ved forsendelsen av dette produktet til GN. Hvis Produktet dekkes av garantien, vil GN bære kostnadene ved å sende produktet tilbake til deg etter at servicearbeidet i henhold til denne garantien er ferdigstilt. Du vil bli belastet med kostnadene for retur av produkter som ikke dekkes av garantien eller som krever reparasjon som ikke dekkes av garantien.

Følgende informasjon må legges ved for å få Garantiservice: (a) produktet, og (b) kjøpsbevis, som klart angir navnet og adressen til selgeren, kjøpsdato og produkttype, som er beviset på at dette produktet er innenfor Garantiperioden. Legg også ved din returadresse, (d) telefonnummer på dagtid og (e) årsaken til returen.

Som en del av GN/Jabras bestrebelser på å redusere miljøskadelig avfall, ber vi deg ha forståelse for at produktet kan bestå av resirkulert utstyr som inneholder brukte komponenter, der noen kan være omarbeidet. De brukte komponentene tilfredsstiller GN/Jabras høye kvalitetsstandarder og GNs produktytelser og pålitelighetsspesifikasjoner. Vi forutsetter at du forstår at erstattede deler eller komponenter er GNs eiendom.

Garantibegrensning

Denne garantien er bare gyldig for den opprinnelige kjøperen og vil automatisk bli avsluttet før utløpsdatoen hvis dette produktet blir solgt eller på annen måte overført til en annen part. Garantien som GN yter i denne erklæringen gjelder bare for produkter som er kjøpt for eget bruk og ikke for videresalg. Den gjelder ikke for kjøp av åpnete produkter som selges "som forevist" og uten garanti.

Spesielt unntatt garantien er forbrukskomponenter med begrenset levetid som er utsatt for normal slitasje, som mikrofonskjerm, ørepropper, modulære plugg, øreplugg, dekorativ finish, batterier og annet ekstrautstyr.

GB

Denne garantien er ikke gyldig hvis fabrikkmerking som serienummer, datokodemerkelapp eller produktmerkelapp er endret eller fjernet fra produktet.

F

Denne Garantien dekker ikke kosmetiske skader eller skader som skyldes feil bruk, misbruk, uaktsomhet, naturkatastrofer, ulykker, demontering eller modifisering av, eller av noen del av, produktet. Denne Garantien dekker ikke skader som skyldes feil bruk, vedlikehold eller installasjon, eller forsøk på reparasjon av noen andre enn GN eller en GN-forhandler som er autorisert til å foreta garantiarbeid. Alle uautoriserte reparasjoner vil gjøre garantien ugyldig.

DE

IT

NL

REPARASJONER ELLER ERSTATNINGER SOM YTES I HENHOLD TIL DENNE GARANTIEN ER FORBRUKERENS ENESTE RETTIGHET TIL UTBEDRING. GN KAN IKKE HOLDES ANSVARLIG FOR NOEN TILFELDIG SKADE ELLER FØLGESKADE FOR BRUDD PÅ NOE UTTRYKkelig ELLER INDIREKTE GARANTI FOR DETTE PRODUKTET. BORTSETT FRA I DEN UTSTREKNINGEN DET ER FORBUDT VED LOV, ER DENNE GARANTIEN EKSKLUSIV OG ER I STEDET FOR ALLE ANDRE UTTRYKTE OG INDIREKTE GARANTIER UANSETT TYPE, INKLUDERT, MEN IKKE AVGRENSET TIL, GARANTI FOR SALGBARHET OG EGNETHET FOR PRAKTISKE FORMÅL.

ES

DK

SU

MERK: Denne garantien gir deg spesifikke juridiske rettigheter. Du kan ha andre rettigheter som varierer fra sted til sted. Noen jurisdiksjoner tillater ikke utelukkelse eller begrensninger av tilfeldig skade eller følgeskade eller indirekte garantier, slik at de ovenstående ekskluderingsene trenger ikke å gjelde for deg. Denne garantien påvirker ikke dine juridiske (lovmessige) rettigheter i henhold til de gjeldende eller lokale lovene i ditt land.

SE

NO

PT

13 Sertifikater og sikkerhetsgodkjenninger

GR

CE

Dette produktet er CE-merket iht. bestemmelsene i R & TTE-direktivet (1999/5/EG).

GN Netcom erklærer herved at dette produktet er i samsvar med de viktigste krav og andre aktuelle bestemmelser i Direktiv 1999/5/EG.

For ytterligere informasjon, se <http://www.jabra.com>

I EU er dette apparatet ment å brukes i Østerrike, Belgia, Kypros, Tsjekkia, Danmark, Estland, Finland, Frankrike, Tyskland, Hellas, Ungarn, Irland, Italia, Latvia, Litauen, Luxembourg, Malta, Polen, Portugal, Slovakia, Slovenia, Spania, Sverige, Nederland, Storbritannia, og innen EFTA i Norge, Sveits og på Island.

Bluetooth

Ordmerket og logoene *Bluetooth*® eies av Bluetooth SIG, Inc., og enhver bruk av slike merker av GN Netcom er lisensiert. Andre varemerker og varenavn tilhører de respektive eierne.

12 Ordliste

- Bluetooth** er en radiobasert teknologi som kobler sammen enheter, som mobiltelefoner og hodesett, uten kabler over kort avstand (omtrent 30 fot). Du kan finne mer informasjon på www.bluetooth.com.
- Bluetooth-profiler** er de forskjellige måtene Bluetooth-enheter kommuniserer med andre enheter på. Bluetooth-telefoner støtter enten hodesett-profilen, handsfree-profilen eller begge. For å kunne støtte en spesiell profil, må mobiltelefonprodusenten implementere enkelte påkrevde funksjoner i mobiltelefonens programvare.
- Sammenkobling / Pairing** lager en unik kryptert link mellom to Bluetooth-enheter, og lar disse kommunisere med hverandre. Bluetooth-enheter vil ikke fungere mot enheter de ikke er sammenkoblet mot.
- Pass-kode eller PIN** er en kode du taster inn på mobiltelefonen for å koble den sammen med Jabra JX10 cara. Dette gjør at Jabra JX10 cara og mobiltelefonen kjenner hverandre igjen, og automatisk fungerer sammen.
- Ventemodus (Stand by)** er når Jabra JX10 cara passivt venter på en samtale. Når du "avslutter" en samtale på mobiltelefonen, går hodesettet inn i ventemodus.



Produktet må kun
kastes i overensstemmelse
med lokale miljøbestemmelser.
www.jabra.com/weee

GB

F

DE

IT

NL

ES

DK

SU

SE

NO

PT

GR

Português

Agradecimento.....	124
Acerca do Jabra JX10 cara.....	125
O que o auscultador permite fazer	126
Iniciar	126
Carregar os auscultadores	126
Ligar e desligar o auscultador.....	127
Emparelhar com o telefone	127
Utilize-o da forma que pretender	128
Como.....	128
Significado das luzes	129
Utilizar os Jabra JX10 cara com 2 telemóveis.....	129
Utilizar o hub Bluetooth Jabra.....	129
Resolução de problemas e perguntas frequentes	130
Necessita de mais ajuda?	130
Cuidados a ter com o seu auricular	131
Informações de serviço e garantia.....	131
Certificação e aprovações de segurança	132
Glossário	133

GB

F

DE

IT

NL

ES

DK

SU

SE

NO

PT

GR

Agradecimento

Muito Obrigado por ter adquirido este Auricular Jabra JX10 cara Bluetooth®. Esperamos que tire o melhor partido dele.

Este manual de instruções irá guiá-lo durante os primeiros passos com o seu novo auricular e ajudá-lo a tirar o maior rendimento dele.

AVISO!

Os auscultadores podem fornecer sons com volumes muito elevados e com tons altos. A exposição a esse tipo de sons pode causar lesões auditivas permanentes. O nível de volume pode variar, tendo como base algumas condições como o telefone que estiver a utilizar, as definições de volume e a sua recepção, bem como o ambiente. Antes de utilizar estes auscultadores, leia a directrizes de segurança seguintes.

Directrizes de segurança

1. Antes de utilizar este produto, siga estes passos:

- Antes de colocar os auscultadores, defina o volume para o seu nível mais baixo,
- Coloque os auscultadores e, em seguida,
- Ajuste o volume para um nível confortável.

2. Durante a utilização deste produto

- Mantenha o volume no nível mais baixo possível, e evite utilizar os auscultadores em ambientes ruidosos em que possa ser necessário aumentar o volume;
- Se for necessário aumentar o volume, faça-o lentamente;
- Se notar desconforto ou zumbidos nos ouvidos, deixe imediatamente de utilizar os auscultadores e consulte um médico.

Com uma utilização continuada num volume elevado, os ouvidos podem-se habituar ao nível sonoro o que pode resultar em danos permanentes na audição sem ser notado qualquer desconforto.

A utilização de auscultadores durante a condução de um veículo motorizado, moto, barco ou bicicleta pode ser perigoso, e é ilegal nalgumas jurisdições. Consulte as leis locais. Tenha o máximo cuidado quando da utilização dos auscultadores enquanto está concentrado numa actividade que necessite da máxima atenção. Durante o trabalho nessa actividade, retire os auscultadores da zona dos ouvidos, ou desligue-os, para evitar distrações, bem como acidentes ou lesões.

3. Mantenha afastado das crianças:

Os sacos de plástico do produto e dos seus componentes são embalagens e não brinquedos para as crianças. Os próprios sacos ou as peças muito pequenas podem causar lesões se ingeridos. Nunca tente desmontar o próprio produto. Nenhum dos componentes internos pode ser substituído ou reparado pelos utilizadores.

O produto só pode ser aberto por agentes autorizados ou os por centros de assistência. Se, por qualquer razão, incluindo o desgaste normal ou quebra, um dos componentes do produto necessitar de substituição, contacte um revendedor.

Evite expor o produto à chuva ou a outros líquidos.

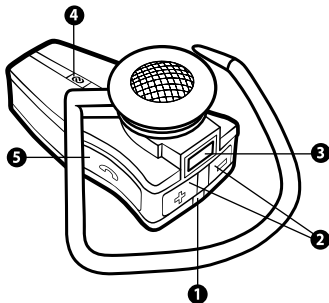
Elimine o produto de acordo com os padrões e regulamentações locais.
www.gnnetcom.com/weee

4. ACA TS028 – Ignição de atmosferas inflamáveis

Não utilize os auscultadores em ambientes onde exista o perigo de ignição de gases inflamáveis.

Acerca do Jabra JX10 cara

1. Luz de LED
 - Azul indica o modo (a emparelhar, activo ou em espera)
 - Vermelha/verde indica o nível da bateria (fraca, em carga ou carregada)
2. Aumentar volume (+), reduzir volume (-)
3. Tomada de carga
4. Botão de emparelhamento – **Prima** para colocar o auscultador em modo de emparelhamento
5. Botão de atender/terminar
 - **Prima** para ligar o auscultador (Uma luz azul intermitente rápida indica que o procedimento foi bem-sucedido)
 - **Prima sem soltar** para desligar o auscultador (Uma luz azul intermitente rápida indica que o procedimento foi bem-sucedido)
 - **Toque** para atender ou terminar uma chamada



O que o auscultador permite fazer

O Jabra JX10 cara permite-lhe executar as acções seguintes (Dependente do telefone suportar a função):

- Atender chamadas
- Terminar chamadas
- Rejeitar chamadas*
- Marcação por voz*
- Remarcar o último número*
- Chamada em espera*
- Colocar uma chamada em espera*

* Dependente do telefone

Especificações

- Até 6 horas de conversação e até 200 horas em espera
- Bateria recarregável com opção de carregamento a partir de fonte de alimentação CA, PC através de cabo USB, carregador de secretária ou carregador de isqueiro (não incluído)
- Inferior a 17 gramas
- Raio de funcionamento até 10 metros (aproximadamente 33 pés)
- Perfis Bluetooth de mãos livres e auscultador
- Especificações de Bluetooth (consulte o **glossário**), versão 1.2

INICIAR

O Jabra JX10 cara é fácil de funcionar. O botão de atender/terminar no auscultador possui diferentes funções, dependendo do modo como premir.

Instruções:	Tempo de pressão:
Toque	Premir brevemente
Duplo toque	2 toques repetidos rapidamente
Premir	Aprox. 1 segundo
Premir sem soltar	Aprox. 2 a 3 segundos

1 Carregar os auscultadores

Certifique-se de que os Jabra JX10 cara são totalmente carregados durante antes de os começar a utilizar. Utilize o adaptador de AC para carregar a partir de uma tomada eléctrica, ou carregue directamente a partir do PC com o cabo USB fornecido, ou através do carregador - Consulte a Fig. 3. Ligue os auscultadores conforme mostrado na Fig. 2.

Quando o LED ficar vermelho, os auscultadores estão em carregamento.
Quando o LED ficar verde, significa que o carregamento está concluído.

Carregar a partir do suporte de secretária

Ligue o adaptador de alimentação CA/cabo USB ao suporte de secretária. Coloque os JX10 cara no suporte de secretária, conforme mostrado na Fig. 3

Nota: O tempo de vida da bateria será significativamente reduzido, se o seu dispositivo for deixado descarregado durante um longo período de tempo. Assim, recomendamos que descarregue o dispositivo, pelo menos, uma vez por mês.


2 Ligar e desligar o auscultador

- **Prima** o botão de atender/terminar para ligar o auscultador.
- **Prima sem soltar** o botão de atender/terminar para desligar o auscultador.

3 Emparelhar com o telefone

Antes de utilizar o Jabra JX10 cara, necessita de o emparelhar com o telemóvel.

1. Coloque o auscultador em modo de emparelhamento

- Certifique-se de que o auscultador está ligado.
- **Prima** o botão de emparelhamento marcado .

2. Configure o telefone Bluetooth para 'descobrir' o Jabra JX10 cara

Siga as instruções fornecidas no manual do telefone. Este procedimento implica, geralmente, o acesso a um menu de 'configuração', 'ligação' ou 'Bluetooth' **no telefone** e a seleção da opção para 'descobrir' ou 'adicionar' um dispositivo Bluetooth. * **(Veja o exemplo a partir de um telemóvel típico na Figura 6)**

3. O telefone encontrará o Jabra JX10 cara

O telefone pergunta, em seguida, se pretende efectuar o emparelhamento. Responda afirmativamente premindo 'Sim' ou 'OK' no telefone e confirme com a **senha ou PIN = 0000 (4 zeros)**.

O telefone confirmará quando o emparelhamento estiver concluído. No caso do emparelhamento não ser bem-sucedido, repita os passos de 1 a 3.

GB

F

4 Utilize-o da forma que pretender

DE

O Jabra JX10 cara está preparado para ser utilizado no ouvido direito. Se preferir utilizá-lo no ouvido esquerdo, retire cuidadosamente o suporte e rode-o para o adaptar ao ouvido esquerdo. **(Consulte a Figura 4).**

IT

NL

ES

5 Como...

DK

Atender uma chamada

- **Toque** no botão atender/terminar no auscultador para atender uma chamada.

SU

Terminar uma chamada

- **Toque** no botão atender/terminar para terminar uma chamada activa.

SE

NO

Efectuar uma chamada

- Quando efectuar uma chamada do telemóvel, ela será transferida automaticamente para o auscultador (dependente das definições do telefone). Se o telefone não permitir esta funcionalidade, toque no botão de atender/terminar do Jabra JX10 cara para transferir a chamada para o auscultador.

PT

GR

Rejeitar uma chamada*

- **Prima** o botão de atender/terminar quando o telefone tocar, para rejeitar uma chamada recebida. Dependendo das definições do telefone, a pessoa que ligou será encaminhada para o correio de voz ou ouvirá um sinal de ocupado.

Activar a marcação por voz*

- Prima o botão de atender/terminar. Para obter os melhores resultados, grave a informação de marcação por voz através do auscultador. Consulte o Manual do Utilizador do telefone para obter mais informações sobre a utilização desta funcionalidade.

Remarcar último número*

- Toque duas vezes no botão de atender/terminar quando os auscultadores estiverem ligados e sem estarem a ser utilizados.

Ajustar o som e o volume

- **Prima** o botão de aumentar ou reduzir volume (+ ou -) para ajustar o volume. **(Consulte a Figura 1).**

Chamada em espera e colocar uma chamada em espera*

Esta função permite-lhe colocar uma chamada em espera durante uma conversa, e atender uma chamada em espera.

- **Prima** uma vez o botão de atender/terminar para colocar uma chamada activa em espera, e atender a chamada em espera.
- **Prima** o botão de responder/terminar para alternar entre as duas chamadas.
- **Toque** no botão atender/terminar para terminar a conversa activa.

* **As funções marcadas com * estão dependentes do telefone aceitar, ou não, estas funcionalidades. Consulte o Manual do Utilizador do telefone para obter mais informações.**

6 Significado das luzes

Apresentada	O que significa relativamente ao auscultador
Luz azul intermitente	A piscar em cada segundo: Activar numa chamada
Luz azul intermitente	A piscar em cada três segundos: Em modo de espera
Luz vermelha intermitente	Bateria fraca
Luz vermelha fixa	Em carregamento
Luz verde fixa	Completamente carregado
Luz azul fixa	Em modo de emparelhamento – Consulte a secção 3

7 Utilizar os Jabra JX10 cara com 2 telemóveis

Os Jabra JX10 cara suportam a ligação simultânea de dois telemóveis. Esta opção dá-lhe a liberdade de ter apenas uns auscultadores a funcionarem com os seus telemóveis. O funcionamento das funções dos auscultadores está descrito na Secção 6.

De salientar que o Último número marcado marcará o número da última chamada efectuada, independentemente dos telemóveis, e que a função Marcação por voz só funcionará no último telemóvel emparelhado.

8 Utilizar o hub Bluetooth Jabra

Os Jabra JX10 cara podem ser utilizados com o hub Bluetooth Jabra (vendido separadamente). Este hub permite-lhe utilizar os auscultadores com o telemóvel e com o telefone do escritório.

Para emparelhar os Jabra JX10 cara com o hub Bluetooth Jabra

- O processo de emparelhamento é um pouco diferente:
- Coloque os Jabra JX10 cara no modo de emparelhamento
- Coloque o hub Bluetooth Jabra no modo de emparelhamento.
- Coloque-os perto. Não necessita de um código PIN dedicado para emparelhar os dois produtos Jabra. Consulte o Manual do Utilizador do hub Bluetooth Jabra para obter mais informações sobre como ligar o hub Bluetooth ao telefone do escritório.

GB

A utilização dos Jabra JX10 cara com o hub Bluetooth Jabra é muito semelhante à utilização dos auscultadores apenas com um telemóvel. A única diferença reside na transferência de uma chamada para os auscultadores a partir do telefone do escritório.

F

DE

Transferir a chamada para os auscultadores

- Toque no botão de atender/terminar para transferir a chamada do telefone do escritório para os auscultadores através do hub Bluetooth Jabra

IT

NL

O atendimento de uma chamada a partir do telefone do escritório requer um adaptador para que os Jabra JX10 cara atendam automaticamente as chamadas.

ES

DK

9 Resolução de problemas e perguntas frequentes

SU

Oiço estalidos

- Para obter a melhor qualidade áudio, utilize sempre o seu auricular do mesmo lado do corpo onde posicionar o seu telemóvel.

SE

NO

Não oiço nada no meu auricular

- Aumente o volume do auricular.
- Assegure-se de que o auricular está sincronizado com o telemóvel.
- Assegure-se de que o telemóvel está ligado ao auricular. Caso não se ligue a partir do menu Bluetooth do telemóvel ou através do toque no botão de atender/terminar, siga o procedimento de sincronização (**veja a Secção 3**).

PT

GR

Tenho problemas de sincronização, apesar de o meu telemóvel indicar o contrário

- Poderá ter apagado a sua ligação de sincronização ao auricular no seu telemóvel. Siga as instruções de sincronização da secção 3. **O Jabra JX10 cara é compatível com outros equipamentos Bluetooth?**
- O Jabra JX10 cara foi concebido para trabalhar com telemóveis Bluetooth. Também poderá funcionar com outros equipamentos Bluetooth que sejam compatíveis com as versões Bluetooth 1.1 e 1.2 e suporte um perfil auricular ou mãos-livres.

Não consigo utilizar as funcionalidades de Rejeitar uma chamada, Chamada em espera, Remarcação ou Marcação por voz.

- Estas funcionalidades dependem das características do seu telemóvel. Por favor, consulte o manual de utilizador do seu telemóvel para saber mais pormenores.

10 Necessita de mais ajuda?

Consulte a tampa interior para obter detalhes.

11 Cuidados a ter com o seu auricular

- Arrume sempre o Jabra JX10 cara desligado e protegido.
- Evite arrumá-lo a temperaturas muito elevadas (acima de 45°C/113°F – incluindo luz solar directa – ou abaixo de -10°C/14°F). Isto poderá encurtar a vida da bateria e afectar o seu funcionamento. As elevadas temperaturas também deterioram o desempenho.
- Não exponha o Jabra JX10 cara a chuva ou a outros líquidos

12 Informações de serviço e garantia

Garantia limitada de dois (2) anos

A GN Netcom AS (“GN”), garante que este produto está isento de defeitos nos materiais e mão-de-obra (de acordo com os termos abaixo definidos) por um período de dois (2) anos após a data de compra (“Warrenty Period”). Durante o Período de garantia, a GN reparará ou substituirá (por decisão da GN) este produto ou qualquer componente defeituoso (“Serviço de garantia”). Se a reparação ou substituição não for comercialmente praticável, ou se não poder ser efectuada atempadamente, a GN pode optar pela devolução do valor da aquisição pago pelo produto com defeito. A reparação ou substituição ao abrigo dos termos desta garantia não dá o direito a qualquer extensão ou a um novo início do período de garantia.

Reclamações ao abrigo da garantia

Para obter o Serviço de garantia, contacte o agente GN onde adquiriu este produto ou visite www.gnnetcom.com ou www.jabra.com para obter mais informações sobre o apoio a clientes.

Necessitará de devolver este Produto ao agente ou de enviá-lo para a GN (se for essa a indicação apresentada em www.gnnetcom.com ou www.jabra.com) na embalagem original ou numa embalagem com igual grau de protecção.

O custo do envio do produto para a GN é da sua responsabilidade. Se o Produto estiver coberto pela garantia, a GN suportará o custo do envio do produto para o utilizador após a conclusão do serviço ao abrigo desta garantia. O envio de retorno será debitado ao utilizador relativamente aos produtos não cobertos pela garantia, ou que não necessitem de reparação ao abrigo da garantia.

As informações seguintes devem apresentadas para obtenção do Serviço de garantia: (a) o produto, e a (b) prova de compra, que indique claramente o nome e endereço da entidade vendedora, a data de aquisição e o tipo de produto, em que seja evidente que este produto está dentro do Período de garantia. Inclua, também, o (c) seu endereço de devolução, (d) O número de telefone para contacto diurno, e a (e) razão da devolução.

Como parte dos esforços da GN/Jabra para reduzir os prejuízos ambientais, o utilizador toma conhecimento que o produto pode ter equipamento reconicionado que contenha componentes usados, em que alguns dos quais tenham sido reparados. Todos os componentes usados estão em conformidade com os elevados padrões de qualidade da GN/Jabra e respeitam as especificações de fiabilidade e desempenho do produto GN. O utilizador toma conhecimento que as peças ou os componentes substituídos passarão a ser propriedade da GN.

(GB)**Limitação da garantia****(F)**

Esta garantia só é válida para o comprador original, e terminará automaticamente antes da expiração se este produto for vendido ou transferido para outra entidade. A garantia fornecida pela GN nesta declaração aplica-se apenas aos produtos adquiridos para utilização, e não para revenda. Esta política não se aplica a aquisições com caixas abertas que são vendidas "como estão" e sem qualquer garantia.

(DE)**(IT)**

Especificamente excluídos da garantia estão os componentes consumíveis de vida limitada sujeitos ao desgaste normal, como as protecções do microfone, as almofadas dos ouvidos, os tampões modulares, as pontas para ouvidos, os acabamentos decorativos, as baterias e outros acessórios.

(NL)**(ES)**

Esta garantia fica inválida se o número de série, etiqueta do código da data ou etiqueta do produto tiver sido alterado ou removido deste produto.

(DK)**(SU)**

Esta Garantia não cobre os danos cosméticos ou os danos relativos à utilização indevida, forçada ou negligente, acções da natureza, acidente, desmontagem ou modificação do, ou de parte do, produto. Esta Garantia não cobre os danos causados por operação, manutenção ou instalação inadequada, ou por tentativa de reparação efectuada por uma entidade que não a GN ou um agente autorizado a efectuar trabalhos ao abrigo da garantia da GN. Qualquer reparação não autorizada fará anular a garantia.

(SE)**(NO)****(PT)**

AS REPARAÇÕES OU SUBSTITUIÇÕES DE ACORDO COM AS INDICAÇÕES EXPRESSAS NESTA GARANTIA CONSTITUEM A ÚNICA SOLUÇÃO DO CONSUMIDOR. A GN NÃO SERÁ RESPONSÁVEL POR QUALQUER DANO ACIDENTAL OU CONSEQUENCIAL POR QUEBRA DE QUALQUER GARANTIA EXPRESSA OU IMPLÍCITA DESTA PRODUTO. EXCEPTO NA EXTENSÃO PROIBIDA POR LEI, ESTA GARANTIA É EXCLUSIVA E SUBSTITUI TODAS AS OUTRAS GARANTIAS EXPRESSAS E IMPLÍCITAS INCLUINDO A, MAS NÃO SE LIMITANDO À, GARANTIA DE COMERCIALIZAÇÃO E ADAPTAÇÃO PARA UMA DETERMINADA FINALIDADE.

(GR)

NOTA! Esta garantia concede-lhe direitos legais específicos. Pode ter outros direitos que variam de acordo com a localização. Como algumas jurisdições não permitem a exclusão ou limitação dos danos acidentais ou consequenciais ou de garantias implícitas, as exclusões acima podem não se aplicar a si. Esta garantia não afecta os seus direitos legais (estatutários) das leis locais ou nacionais aplicáveis.

13**Certificação e aprovações de segurança****CE**

Este produto tem a marca CE, de acordo com o estabelecido na Directiva R & TTE (1999/5/CE).

No presente documento, a GN Netcom declara que este produto está em conformidade com os requisitos essenciais e outras disposições relevantes da Directiva 1999/5/CE.

Para obter mais informações, visite o site <http://www.jabra.com>

Na UE, este dispositivo destina-se a ser utilizado na Áustria, Bélgica, Chipre, República Checa, Dinamarca, Estónia, Finlândia, França, Alemanha, Grécia, Hungria, Irlanda, Itália, Letónia, Lituânia, Luxemburgo, Malta, Polónia, Portugal, Eslováquia, Eslovénia, Espanha, Suécia, Holanda, Reino Unido e, na EFTA, na Islândia, Noruega e Suíça

Bluetooth

A marca *Bluetooth*® e os logótipos são propriedade da Bluetooth SIG, Inc. e para utilizar qualquer uma destas marcas necessita de uma licença da GN Netcom. Outras marcas comerciais e nomes de marcas pertencem aos respectivos proprietários.

14 Glossário

- Bluetooth** é uma tecnologia rádio que liga aparelhos, como telemóveis e auriculares, sem fios ou cabos, a uma curta distância (aprox. 10 metros). Obtenha mais informações em www.bluetooth.com.
- Perfis Bluetooth** são as diferentes formas que os aparelhos Bluetooth possuem para comunicar uns com os outros. Os telemóveis Bluetooth suportam o perfil de auricular, de mãos-livres ou ambos. Para suportar um certo perfil, o fabricante de telemóveis terá que implementar algumas características obrigatórias no software do telemóvel.
- Sincronização** cria uma ligação única e encriptada entre dois aparelhos Bluetooth e permite-lhes comunicar um com o outro. Os aparelhos Bluetooth não funcionam se não tiverem sido sincronizados.
- Palavra-passe ou PIN** é o código que se introduz no seu telemóvel para sincronizá-lo com o seu Jabra JX10 cara. Isto faz com que o seu telemóvel e o Jabra JX10 cara se reconheçam mutuamente e trabalhem automaticamente em conjunto.
- Modo de espera** é o modo em que o Jabra JX10 cara se encontra passivamente à espera de uma chamada. Quando se “termina” uma chamada, o auricular fica em modo de espera.



Elimine o produto de acordo com os padrões e regulamentações locais.
www.jabra.com/weee

GB

F

DE

IT

NL

ES

DK

SU

SE

NO

PT

GR

Ελληνικά

Σας ευχαριστούμε	136
Σχετικά με το Jabra JX10 cara	137
Τι μπορούν να κάνουν τα ακουστικά σας	138
Ξεκινώντας	138
Φορτίστε τα ακουστικά σας	138
Ενεργοποίηση και απενεργοποίηση των ακουστικών σας.....	139
Σύνδεση με το τηλέφωνό σας	139
Φορέστε το όπως σας αρέσει	140
Πως να.....	140
Ερμηνεία των φωτεινών ενδείξεων	141
Χρήση του Jabra JX10 cara με 2 κινητά τηλέφωνα	141
Χρήση του Jabra Bluetooth Hub	142
Αντιμετώπιση προβλημάτων και Συνήθεις ερωτήσεις	142
Χρειάζεστε επιπλέον βοήθεια;	143
Φροντίδα του ακουστικού	143
Πληροφορίες για Υπηρεσίες και Εγγύηση	143
Εγκρίσεις πιστοποίησης και ασφάλειας	145
Γλωσσάρι	146

GB

F

DE

IT

NL

ES

DK

SU

SE

NO

PT

GR

Σας ευχαριστούμε

Σας ευχαριστούμε που αγοράσατε το ακουστικό Bluetooth® Jabra JX10 cara. Ελπίζουμε να το ευχαριστηθείτε!

Αυτό το εγχειρίδιο οδηγιών θα σας βοηθήσει να αρχίσετε να χρησιμοποιείτε και να αξιοποιήσετε απόλυτα το ακουστικό.

ΠΡΟΕΙΔΟΠΟΙΗΣΗ!

Τα ακουστικά ενδέχεται να παράγουν ήχους σε υψηλές εντάσεις και υψηλές συχνότητες. Η έκθεση σε τέτοιους ήχους μπορεί να οδηγήσει σε μόνιμη απώλεια της ακοής. Το επίπεδο της έντασης μπορεί να διαφοροποιείται ανάλογα με συνθήκες όπως το τηλέφωνο που χρησιμοποιείτε, η λήψη και οι ρυθμίσεις της έντασης του, καθώς και το περιβάλλον. Παρακαλούμε διαβάστε τις οδηγίες ασφάλειας που ακολουθούν προτού χρησιμοποιήσετε το ακουστικό.

Οδηγίες ασφαλείας

1. Πριν τη χρήση του προϊόντος ακολουθείτε τα παρακάτω βήματα:

- προτού ενεργοποιήσετε το ακουστικό, γυρίστε την ένταση στο χαμηλότερο επίπεδο,
- φορέστε το ακουστικό, και στη συνέχεια
- προσαρμόστε αργά την ένταση σε ένα ικανοποιητικό επίπεδο.

2. Κατά τη διάρκεια χρήσης αυτού του προϊόντος

- Διατηρήστε την ένταση στο χαμηλότερο δυνατό επίπεδο και αποφύγετε τη χρήση του ακουστικού σε θορυβώδες περιβάλλον, όπου θα χρειαστεί να ανεβάσετε την ένταση
- Αν είναι απαραίτητη η αυξημένη ένταση, προσαρμόστε αργά το πλήκτρο ελέγχου και
- Αν νιώσετε κάποια ενόχληση ή βόμβο στα αυτιά σας, διακόψτε αμέσως τη χρήση του ακουστικού και συμβουλευτείτε ένα γιατρό.

Με την παρατεταμένη χρήση των ακουστικών σε υψηλή ένταση, τα αυτιά σας μπορεί να συνηθίσουν το επίπεδο του ήχου, με αποτέλεσμα να προκληθεί μόνιμη βλάβη στην ακοή σας χωρίς να έχει προηγηθεί αισθητή ενόχληση.

Η χρήση ακουστικών κατά την οδήγηση αυτοκινήτου, μηχανής, τζετ-σκι ή ποδηλάτου μπορεί να είναι επικίνδυνη και, σε ορισμένες χώρες, παράνομη. Συμβουλευτείτε τους τοπικούς κανονισμούς. Απαιτείται μεγάλη προσοχή όταν χρησιμοποιείτε ακουστικά ενώ ασχολείστε με κάποια δραστηριότητα που απαιτεί την πλήρη προσοχή σας. Κατά τη διάρκεια μιας τέτοιου είδους δραστηριότητας, η αφαίρεση των ακουστικών από τα αυτιά σας ή η απενεργοποίηση του ακουστικού θα αποτρέψει την απόσπαση της προσοχής σας, ώστε να αποφευχθούν τυχόν ατυχήματα ή τραυματισμοί.

3. Κρατήστε μακριά από παιδιά:

Η πλαστική συσκευασία του προϊόντος και των συμπληρωματικών μερών του δεν αποτελούν παιχνίδι για παιδιά. Οι ιδίες οι πλαστικές σακούλες ή τα πολλά μικρά μέρη που περιέχουν μπορεί να προκαλέσουν πνιγμό αν τα καταπιείτε. Ποτέ μην προσπαθήσετε να αποσυναρμολογήσετε μόνοι σας το προϊόν. Κανένα από τα εσωτερικά τμήματα δεν μπορεί να αντικατασταθεί ή να επισκευαστεί από τον χρήστη.

Μόνο εξουσιοδοτημένοι αντιπρόσωποι ή κέντρα επισκευών μπορούν να αποσυναρμολογήσουν το προϊόν. Αν για οποιονδήποτε λόγο απαιτείται η αντικατάσταση τυχόν τμημάτων του προϊόντος, συμπεριλαμβανομένης της φυσιολογικής φθοράς ή βλάβης, επικοινωνήστε με τον αντιπρόσωπο.

Αποφύγετε την έκθεση του προϊόντος σε βροχή ή σε άλλα υγρά.

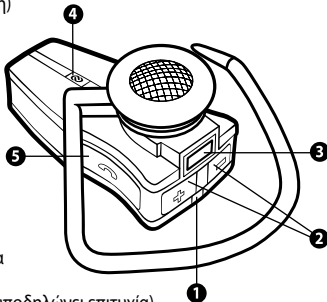
Η απόρριψη του προϊόντος πρέπει να ακολουθεί τους εκάστοτε τοπικούς κανονισμούς.
www.gnnetcom.com/weee

4. ACA TS4 – Πυροδότηση σε εκρήξιμες ατμόσφαιρες

Μη χρησιμοποιείτε το ακουστικό σε περιβάλλον όπου υπάρχει κίνδυνος ανάφλεξης εύφλεκτων αερίων.

Σχετικά με το Jabra JX10 cara

1. Ένδειξη φωτοδιόδου (LED)
 - Το μπλε υποδηλώνει κατάσταση λειτουργίας (σε σύνδεση, ενεργή ή σε αναμονή)
 - Το κόκκινο/ πράσινο υποδηλώνει στάθμη μπαταρίας (χαμηλή, φόρτιση, φορτισμένη)
2. Αύξηση έντασης (+), μείωση έντασης (-)
3. Υποδοχή φόρτισης
4. Κουμπί συνδυασμού – **πατήστε** για εφαρμογή κατάστασης λειτουργίας σύνδεσης στα ακουστικά
5. Κουμπί τερματισμού/ απάντησης
 - **Πατήστε** για ενεργοποίηση των ακουστικών (το γρήγορο άναμμα-σβήσιμο του μπλε υποδηλώνει επιτυχία)
 - **Πατήστε και κρατήστε το πατημένο** για απενεργοποίηση των ακουστικών (το γρήγορο άναμμα-σβήσιμο του μπλε υποδηλώνει επιτυχία)
 - **Πατήστε** ελαφρά για να απαντήσετε ή να τερματίσετε μια κλήση



Τι μπορούν να κάνουν τα ακουστικά σας

Το Jabra JX10 cara σας επιτρέπει να κάνετε τα εξής (αν το τηλέφωνό σας υποστηρίζει την αντίστοιχη λειτουργία):

- Απάντηση κλήσεων
- Τερματισμός κλήσεων
- Απόρριψη κλήσεων*
- Φωνητική κλήση*
- Εκ νέου κλήση του τελευταίου αριθμού*
- Αναμονή κλήσης*
- Κλήση σε αναμονή*

* Εξαρτάται από το τηλέφωνο

Προδιαγραφές

- Χρόνος ομιλίας μέχρι 6 ώρες και χρόνος αναμονής μέχρι 200 ώρες
- Επαναφορτιζόμενη μπαταρία με δυνατότητα φόρτισης με εναλλασσόμενο ρεύμα, από τον Η/Υ μέσω της θύρας USB, με επιτραπέζιο φορτιστή ή φορτιστή αυτοκινήτου (δεν περιλαμβάνεται)
- Λιγότερο από 17 γραμμάρια.
- Εμβέλεια λειτουργίας μέχρι και 10 μέτρα (περίπου 33 πόδια)
- Ακουστικά και προφίλ Bluetooth χωρίς χειροσυσκευή
- Έκδοση (δείτε στο **γλωσσάριο**) προδιαγραφών Bluetooth 1.2

ΞΕΚΙΝΩΝΤΑΣ

Το Jabra JX10 cara είναι εύκολο στη λειτουργία. Το κουμπί απάντησης/ τερματισμού στα ακουστικά εκτελεί διαφορετικές λειτουργίες ανάλογα με τον χρόνο που το πατάτε.

Οδηγίες	Διάρκεια πίεσης:
Πατήστε ελαφρά	Σύντομη πίεση
Διπλό πάτημα	2 γρήγορα επαναλαμβανόμενα πατήματα
Πιέστε	Περίπου 1 δευτερόλεπτο
Παρατεταμένη πίεση	Περίπου 2-3 δευτερόλεπτα

1 Φορτίστε τα ακουστικά σας

Πριν χρησιμοποιήσετε για πρώτη φορά τα ακουστικά Jabra JX10 cara, βεβαιωθείτε ότι έχουν φορτιστεί πλήρως. Χρησιμοποιήστε τον προσαρμογέα εναλλασσόμενου ρεύματος για να φορτίσετε από πρίζα ή φορτίστε απευθείας από τον υπολογιστή σας με το καλώδιο USB που σας παρέχεται, ή μέσω του φορτιστή αυτοκινήτου - βλέπε εικ. 3. Συνδέστε τα ακουστικά όπως φαίνεται στην εικ. 2.

Όταν η λυχνία LED είναι κόκκινη, τα ακουστικά φορτίζουν.

Όταν η λυχνία LED είναι πράσινη, τα ακουστικά έχουν φορτιστεί πλήρως.

Φορτίστε από την επιτραπέζια βάση

Συνδέστε το καλώδιο USB/προσαρμογέα εναλλασόμενου ρεύματος με την επιτραπέζια βάση. Τοποθετήστε τα ακουστικά JX10 cara στην επιτραπέζια βάση όπως φαίνεται στην εικ. 3

Παρακαλούμε προσέξτε ότι: Η διάρκεια ζωής της μπαταρίας θα μειωθεί σημαντικά, αν δεν φορτιστεί για μεγάλο χρονικό διάστημα. Σας συνιστούμε να φορτίζετε τη συσκευή σας τουλάχιστον μία φορά τον μήνα.


2 Ενεργοποίηση και απενεργοποίηση των ακουστικών σας

- **Πατήστε** το κουμπί απάντησης/τερματισμού για να ενεργοποιήσετε τα ακουστικά σας.
- **Πατήστε και κρατήστε πατημένο** το κουμπί απάντησης/τερματισμού για να απενεργοποιήσετε τα ακουστικά σας.

3 Σύνδεση με το τηλέφωνό σας

Πριν χρησιμοποιήσετε το Jabra JX10 cara, θα χρειαστεί να το συνδέσετε με το κινητό σας τηλέφωνο.

1. Θέστε τα ακουστικά σε κατάσταση λειτουργίας σύνδεσης

- Βεβαιωθείτε ότι είναι ενεργοποιημένα.
- **Πατήστε** το κουμπί σύνδεσης που είναι σημειωμένο .

2. Ρυθμίστε το τηλέφωνό σας Bluetooth να «ανακαλύψει» το Jabra JX10 cara

Ακολουθήστε το εγχειρίδιο οδηγιών του τηλεφώνου σας. Αυτό συνήθως συνεπάγεται τη μετάβαση σε κάποιο μενού 'ρυθμίσεων,' σύνδεσης' ή 'Bluetooth' **στο τηλέφωνό σας** και ενεργοποίησης της επιλογής «ανακάλυψης» ή «προσθήκης» μιας συσκευής Bluetooth. * **(Δείτε παράδειγμα από ένα συνηθισμένο κινητό τηλέφωνο στο σχήμα. 6).**

3. Το τηλέφωνό σας θα βρει το Jabra JX10 cara

Στη συνέχεια το τηλέφωνό σας ρωτάει αν θέλετε να συνδεθείτε μαζί του. Δεχτείτε πατώντας «Ναι» ή «OK» στο τηλέφωνο και επιβεβαιώστε με το **passkey (αντικλειδί) ή PIN = 0000 (4 μηδενικά).**

Θα υπάρξει επιβεβαίωση από το τηλέφωνό σας όταν η σύνδεση ολοκληρωθεί. Σε περίπτωση ανεπιτυχούς σύνδεσης, επαναλάβετε τα βήματα 1 ως 3.

GB

F

4 Φορέστε το όπως σας αρέσει

DE

Το Jabra JX10 cara είναι έτοιμο να φορεθεί στο δεξιό αυτί σας. Αν προτιμάτε να το φοράτε στο αριστερό αυτί, αφαιρέστε το άγκιστρο του αυτιού και περιστρέψτε για προσαρμογή στο αριστερό αυτί. (Δείτε σχ. 4).

IT

NL

5 Πως να...

ES

Απαντήστε σε μια κλήση

DK

- Πατήστε **ελαφρά** το κουμπί απάντησης/ τερματισμού στο σετ ακουστικών σας για να απαντήσετε σε μια κλήση.

SU

Τερματίστε μια κλήση

SE

- Πατήστε **ελαφρά** το κουμπί απάντησης/ τερματισμού για να τερματίσετε μια ενεργή κλήση.

NO

Πραγματοποιήστε μια κλήση

PT

- Όταν πραγματοποιείτε μια κλήση από το κινητό σας τηλέφωνο, η κλήση (ανάλογα με τις ρυθμίσεις του τηλεφώνου) μεταφέρεται αυτόματα στο σετ των ακουστικών σας. Αν το τηλέφωνό σας δεν διαθέτει αυτή τη δυνατότητα, πατήστε ελαφρά το κουμπί απάντησης/ τερματισμού του Jabra JX10 cara για να μεταφέρετε την κλήση στο σετ των ακουστικών.

GR

Απορρίψτε μια κλήση*

- Πατήστε το κουμπί απάντησης/ τερματισμού όταν χτυπήσει το τηλέφωνο για να απορρίψετε μια εισερχόμενη κλήση. Ανάλογα με τις ρυθμίσεις του τηλεφώνου σας, το άτομο που σας κάλεσε είτε θα προωθηθεί στο φωνητικό ταχυδρομείο σας είτε θα ακούσει σήμα κατειλημμένο.

Ενεργοποιήστε τη φωνητική κλήση*

- Πιέστε το πλήκτρο απάντησης/τερματισμού. Για καλύτερα αποτελέσματα, ηχογραφήστε τους τίτλους για τη φωνητική κλήση φορώντας το ακουστικό. Για περισσότερες πληροφορίες σχετικά με τη χρήση αυτής της λειτουργίας, ανατρέξτε στις οδηγίες χρήσης του τηλεφώνου σας.

Καλέσετε ξανά τον τελευταίο αριθμό*

- Πατήστε δύο φορές το πλήκτρο απάντησης/τερματισμού όταν το ακουστικό είναι ενεργοποιημένο και δεν χρησιμοποιείται.

Να ρυθμίσετε ήχο και ένταση

- Πατήστε το κουμπί αύξησης ή μείωσης της έντασης (+ ή -) για να ρυθμίσετε την ένταση. (Δείτε σχ. 1).

Αναμονή κλήσης και τοποθέτηση κλήσης σε αναμονή*

Αυτό σας επιτρέπει να θέσετε μια κλήση σε αναμονή στη διάρκεια συνομιλίας και να απαντήσετε μια κλήση αναμονής.

- **Πατήστε** το κουμπί απάντησης/ τερματισμού μια φορά για να θέσετε την ενεργή κλήση σε αναμονή και να απαντήσετε στην κλήση που είναι σε αναμονή.
- **Πατήστε** το κουμπί απάντησης/ τερματισμού για να κάνετε εναλλαγή μεταξύ των δύο κλήσεων.
- **Πατήστε** ελαφρά το κουμπί απάντησης/ τερματισμού για να τερματίσετε την συνομιλία που εξελίσσεται.

* Οι λειτουργίες που είναι σημειωμένες με * εξαρτώνται από τη δυνατότητα που έχει το τηλέφωνό σας να υποστηρίξει αυτά τα χαρακτηριστικά. Ανατρέξτε στο εγχειρίδιο χρήστη του τηλεφώνου σας για περαιτέρω πληροφορίες.

6 Ερμηνεία των φωτεινών ενδείξεων

Τι βλέπετε	Ερμηνεία σε σχέση με τα ακουστικά σας
Μπλε ένδειξη που αναβοσβήνει	Άναμμα-σβήσιμο κάθε δευτερόλεπτο: ενεργοποιημένο σε κλήση
Μπλε ένδειξη που αναβοσβήνει	Άναμμα-σβήσιμο κάθε τρία δευτερόλεπτα: σε κατάσταση λειτουργίας αναμονής
Κόκκινη ένδειξη που αναβοσβήνει	Χαμηλή στάθμη μπαταρίας
Διαρκής κόκκινη ένδειξη	Φορτίζει
Διαρκής πράσινη ένδειξη	Πλήρως φορτισμένο
Διαρκής μπλε ένδειξη	Σε κατάσταση λειτουργίας σύνδεσης – δείτε ενότητα 3

7 Χρήση του Jabra JX10 cara με 2 κινητά τηλέφωνα

Το Jabra JX10 cara μπορεί να είναι συνδεδεμένο με δύο κινητά τηλέφωνα ταυτόχρονα. Αυτό θα σας δώσει την ελευθερία να λειτουργείτε με ένα μόνο ακουστικό και τα δύο σας τηλέφωνα, ενώ οι λειτουργίες του ακουστικού είναι αυτές που περιγράφονται στην ενότητα 6.

Πρέπει μόνο να σημειωθεί ότι η Επανάκληση του Τελευταίου Αριθμού θα καλέσει τον αριθμό της τελευταίας εξερχόμενης κλήσης, ανεξάρτητα από τα κινητά τηλέφωνα, ενώ η Φωνητική κλήση θα λειτουργεί μόνο με το κινητό τηλέφωνο που συνδέθηκε τελευταία.

GB

F

8 Χρήση του Jabra Bluetooth Hub

DE

The Jabra JX10 cara μπορεί να χρησιμοποιηθεί μαζί με το Bluetooth Hub (πωλείται χωριστά). Αυτό θα σας επιτρέψει να χρησιμοποιείτε το ακουστικό με το κινητό σας τηλέφωνο και το τηλέφωνο του γραφείου σας.

IT

Για να συνδέσετε το Jabra JX10 cara με το Jabra Bluetooth Hub

Η διαδικασία ζεύξης είναι λίγο διαφορετική:

NL

- Θέστε το Jabra JX10 cara σε λειτουργία ζεύξης
- Θέστε το Jabra Bluetooth Hub σε λειτουργία ζεύξης.

ES

- Βάλτε το ένα κοντά στο άλλο. Δε χρειάζεστε αποκλειστικό κωδικό pin για να συνδέσετε τα δύο προϊόντα Jabra. Συμβουλευτείτε το εγχειρίδιο χρήσης του Jabra Bluetooth Hub για περισσότερες λεπτομέρειες σχετικά με τη σύνδεση του Bluetooth hub με το τηλέφωνο του γραφείου σας.

DK

Η χρήση του Jabra JX10 cara με το Jabra Bluetooth Hub είναι παρόμοια με τη χρήση του ακουστικού με ένα μόνο κινητό τηλέφωνο. Η μόνη διαφορά είναι η μεταφορά μιας κλήσης προς το ακουστικό από το τηλέφωνο του γραφείου.

SU

SE

Μεταφορά της κλήσης στο ακουστικό

NO

- Πατήστε ελαφρά το πλήκτρο απάντησης/τερματισμού για να μεταφέρετε την κλήση από το τηλέφωνο του γραφείου στο ακουστικό μέσω του Jabra Bluetooth Hub

PT

Η απάντηση μιας κλήσης από το τηλέφωνο του γραφείου απαιτεί να σηκώνετε το ακουστικό προκειμένου η απάντηση στη κλήση να πραγματοποιηθεί αυτόματα από το Jabra JX10 cara.

GR

9 Αντιμετώπιση προβλημάτων και Συνήθεις ερωτήσεις

Ακούω τριγμούς

Για καλύτερη ποιότητα ήχου, πάντα να φοράτε το ακουστικό στην ίδια πλευρά του σώματός σας με το κινητό τηλέφωνο.

Δεν ακούγεται τίποτα στο ακουστικό

- Αυξήστε την ένταση του ήχου στο ακουστικό.
- Βεβαιωθείτε ότι το ακουστικό είναι συνδεδεμένο με το τηλέφωνο.
- Βεβαιωθείτε ότι το τηλέφωνο είναι συνδεδεμένο με το ακουστικό. Εάν δεν συνδέεται από το μενού Bluetooth του τηλεφώνου ή με το πάτημα του κουμπιού απάντησης/τερματισμού, εκτελέστε τη διαδικασία ζεύξης (**βλέπε ενότητα 3**).

Έχω προβλήματα ζεύξης, παρόλο που το τηλέφωνό μου υποδεικνύει το αντίθετο

Ενδεχομένως να έχετε διαγράψει τη σύνδεση ζεύξης του ακουστικού στο κινητό σας τηλέφωνο. Εκτελέστε τις οδηγίες ζεύξης στην ενότητα 3.

Μπορεί το Jabra JX10 cara να συνεργαστεί με άλλες συσκευές Bluetooth;

Το Jabra JX10 cara έχει σχεδιαστεί να συνεργάζεται με κινητά τηλέφωνα Bluetooth. Μπορεί, ακόμη, να συνεργαστεί και με άλλες συσκευές Bluetooth που είναι συμβατές με Bluetooth έκδοση 1.1 ή 1.2 και υποστηρίζουν προφίλ ακουστικού και/ή hands-free.

Δεν μπορώ να χρησιμοποιήσω τις λειτουργίες Απόρριψη κλήσεων, κλήση σε κράτηση, Επανάκληση ή φωνητική κλήση

Οι λειτουργίες αυτές διατίθενται εάν υποστηρίζονται από το κινητό σας. Για περισσότερες πληροφορίες, ανατρέξτε στις οδηγίες χρήσης του κινητού σας τηλεφώνου

10 Χρειάζεστε επιπλέον βοήθεια;

Δείτε στο εσωτερικό κάλυμμα για λεπτομέρειες

11 Φροντίδα του ακουστικού

- Να φυλάτε πάντα το Jabra JX10 cara σβηστό και προστατευμένο.
- Να αποφεύγετε τη φύλαξη σε χώρους με υπερβολικές θερμοκρασίες (υψηλότερα από 45°C, συμπεριλαμβανομένης και της έκθεσης σε άμεσο ηλιακό φως, ή χαμηλότερα από -10°C). Ενδέχεται να μειωθεί η διάρκεια ζωής της μπαταρίας και να επηρεαστεί η λειτουργία. Οι υψηλές θερμοκρασίες μπορεί να μειώσουν την απόδοση.
- Μην εκθέτετε το Jabra JX10 cara σε βροχή ή άλλα υγρά.

12 Πληροφορίες για Υπηρεσίες και Εγγύηση

Περιορισμένη εγγύηση δύο (2) ετών

Η GN Netcom AS ("GN") εγγυάται ότι το προϊόν δεν παρουσιάζει ελαττώματα σε ό,τι αφορά τα υλικά και την κατασκευή του (υπόκειται στους όρους που παρατίθενται παρακάτω) για την περίοδο δύο (2) ετών από την ημερομηνία αγοράς ("Περίοδος εγγύησης"). Κατά τη διάρκεια της περιόδου εγγύησης, η GN θα επισκευάσει ή θα αντικαταστήσει (υπόκειται στη διακριτική ευχέρεια της GN) το προϊόν ή τυχόν ελαττωματικά μέρη ("Υπηρεσίες εγγύησης"). Σε περίπτωση που η επισκευή ή αντικατάσταση δεν είναι εμπορικά εφικτή ή δεν μπορεί να πραγματοποιηθεί εγκαίρως, η GN έχει το δικαίωμα επιλογής για την αποζημίωσή σας με το χρηματικό ποσό που κατεβλήθη για την αγορά του ελαττωματικού προϊόντος. Η επισκευή ή αντικατάσταση σύμφωνα με τους όρους της παρούσας εγγύησης δεν παρέχει το δικαίωμα για οποιαδήποτε επέκταση ή νέα έναρξη της περιόδου εγγύησης.

GB

Αξιώσεις που καλύπτονται από την Εγγύηση

F

Για να αποκτήσετε την Υπηρεσία Εγγύησης, παρακαλέσθε να επικοινωνήσετε με τον αντιπρόσωπο της GN από τον οποίο αγοράσατε το συγκεκριμένο προϊόν ή επισκεφτείτε τη διεύθυνση www.gnnetcom.com ή www.jabra.com για περαιτέρω πληροφορίες σχετικά με την υποστήριξη πελατών.

DE

Θα χρειαστεί να επιστρέψετε το Προϊόν στον αντιπρόσωπο ή στην GN (αν ούτως υποδεικνύεται στο www.gnnetcom.com ή στο www.jabra.com) είτε στην αρχική συσκευασία του ή σε ανάλογη συσκευασία που προσφέρει εξίσου καλή προστασία.

IT

NL

Θα επιβαρυνθείτε με το κόστος αποστολής του προϊόντος στη GN. Σε περίπτωση που το Προϊόν καλύπτεται από την εγγύηση, το κόστος αποστολής του προϊόντος σε εσάς θα επιβαρύνει την GN μετά την ολοκλήρωση των υπηρεσιών που καλύπτονται από την παρούσα εγγύηση. Το κόστος επιστροφής θα επιβαρύνει εσάς για προϊόντα που δεν καλύπτονται από την εγγύηση ή που απαιτούν επισκευή που δεν καλύπτεται από την εγγύηση.

ES

DK

Οφείλτε να προσκομίσετε τις παρακάτω πληροφορίες προκειμένου να αποκτήσετε την Υπηρεσία Εγγύησης:

SU

(α) το προϊόν και (β) την απόδειξη αγοράς, όπου αναγράφονται σαφώς το όνομα και η διεύθυνση του σημείου πώλησης, η ημερομηνία αγοράς και ο τύπος του προϊόντος, τα οποία αποδεικνύουν ότι το προϊόν βρίσκεται εντός της Περιόδου Εγγύησης. Παρακαλούμε όπως αναφέρετε και την (γ) διεύθυνση επιστροφής, (δ) τον τηλεφωνικό αριθμό επικοινωνίας, και (ε) τον λόγο επιστροφής.

SE

NO

Στο πλαίσιο των προσαθειών των GN/Jabra για μείωση των περιβαλλοντικών ρύπων, αντιλαμβάνεστε ότι το προϊόν ενδεχομένως να αποτελείται από επιδιορθωμένο εξοπλισμό που περιέχει μεταχειρισμένα μέρη, ορισμένα από τα οποία έχουν επεξεργαστεί ξανά. Όλα τα μεταχειρισμένα μέρη ανταποκρίνονται στα υψηλά πρότυπα ποιότητας των GN/Jabra και είναι σύμφωνα με τις προδιαγραφές απόδοσης και αξιοπιστίας της GN

PT

GR

Αντιλαμβάνεστε ότι τα αντικατεστημένα τμήματα ή συστατικά μέρη θα περάσουν στην κατοχή της GN.

Περιορισμός Εγγύησης

Η παρούσα εγγύηση ισχύει μόνο για τον αρχικό αγοραστή και θα τερματιστεί αυτόματα πριν την εκπονή της σε περίπτωση που το προϊόν πωληθεί ή μεταβιβαστεί σε άλλο πρόσωπο. Η εγγύηση που παρέχεται από τη GN στην παρούσα δήλωση ισχύει μόνο για προϊόντα που αγοράστηκαν για προσωπική χρήση και όχι για μεταπώληση. Δεν ισχύει για αγορές προϊόντων από έκθεση που πωλούνται «ως έχουν» και χωρίς καμία εγγύηση.

Ειδικώς εξαιρούνται από την εγγύηση αναλώσιμα τμήματα με περιορισμένη διάρκεια ζωής που υπόκεινται σε φυσική φθορά, όπως καλύμματα μικρόφωνου, μαξιλαράκια αυτιών, αρθρωτά βύσματα, ακουστικά, διακοσμητικά τελειώματα, μπαταρίες και άλλα εξαρτήματα.

Η παρούσα εγγύηση δεν ισχύει αν ο εργοστασιακός σειριακός αριθμός, ο κωδικός ημερομηνίας της ετικέτας ή η ετικέτα του προϊόντος έχουν τροποποιηθεί ή αφαιρεθεί από το προϊόν.

Η παρούσα εγγύηση δεν καλύπτει ζημιές στην εμφάνιση του προϊόντος ή ζημιές που οφείλονται σε κακή χρήση, κατάχρηση, αμέλεια, ακραία καιρικά φαινόμενα, ατύχημα, αποσυμμετρική τροποποίηση αυτού του προϊόντος ή οποιαδήποτε εξαρτήματός του. Η παρούσα Εγγύηση δεν καλύπτει ζημιές που οφείλονται σε εσφαλμένη λειτουργία ή εγκατάσταση, ή σε απόπειρα επισκευής από οποιονδήποτε άλλο εκτός της GN ή ενός αντιπροσώπου της GN που είναι εξουσιοδοτημένος να διενεργεί εργασίες της εγγύησης GN. Τυχόν μη εξουσιοδοτημένες επισκευές ακυρώνουν την εγγύηση.

ΟΙ ΕΠΙΣΚΕΥΕΣ Η ΑΝΤΙΚΑΤΑΣΤΑΣΕΙΣ ΠΟΥ ΚΑΛΥΠΤΟΝΤΑΙ ΑΠΟ ΤΗΝ ΠΑΡΟΥΣΑ ΕΓΓΥΗΣΗ ΑΠΟΤΕΛΟΥΝ ΤΗΝ ΑΠΟΚΛΕΙΣΤΙΚΗ ΑΠΟΖΗΜΙΩΣΗ ΤΟΥ ΚΑΤΑΝΑΛΩΤΗ. Η GN ΔΕΝ ΦΕΡΕΙ ΝΟΜΙΚΗ ΕΥΘΥΝΗ ΓΙΑ ΤΥΧΑΙΕΣ Η ΠΑΡΜΕΝΕΣ ΖΗΜΙΕΣ ΓΙΑ ΑΘΕΤΗΣΗ ΟΠΟΙΑΣΔΗΠΟΤΕ ΡΗΤΗΣ Η ΣΙΩΠΗΡΗΣ ΕΓΓΥΗΣΗΣ ΣΤΟ ΠΑΡΟΝ ΠΡΟΪΟΝ. ΕΚΤΟΣ ΑΠΟ ΤΗΝ ΕΚΤΑΣΗ ΠΟΥ ΟΡΙΖΕΙ Ο ΝΟΜΟΣ, Η ΠΑΡΟΥΣΑ ΕΓΓΥΗΣΗ ΕΙΝΑΙ ΑΠΟΚΛΕΙΣΤΙΚΗ ΚΑΙ ΑΝΤΙΚΑΘΙΣΤΑ ΟΛΕΣ ΤΙΣ ΆΛΛΕΣ ΡΗΤΕΣ Η ΣΙΩΠΗΡΕΣ ΕΓΓΥΗΣΕΙΣ, ΣΥΜΠΕΡΙΛΑΜΒΑΝΟΜΕΝΩΝ, ΕΝΔΕΙΚΤΙΚΑ ΚΑΙ ΟΧΙ ΠΕΡΙΟΡΙΣΤΙΚΑ, ΤΩΝ ΕΓΓΥΗΣΕΩΝ ΕΜΠΟΡΕΥΣΙΜΟΤΗΤΑΣ ΚΑΙ ΚΑΤΑΛΛΗΛΟΤΗΤΑΣ ΓΙΑ ΠΡΑΚΤΙΚΟΥΣ ΣΚΟΠΟΥΣ.

ΣΗΜΕΙΩΣΗ! Η παρούσα εγγύηση σας παρέχει συγκεκριμένα νομικά δικαιώματα. Ενδεχομένως έχετε και άλλα δικαιώματα τα οποία διαφοροποιούνται από τόπο σε τόπο. Ορισμένες δικαιοδοσίες δεν επιτρέπουν τον αποκλεισμό ή τον περιορισμό των τυχαίων ή παρεπόμενων βλαβών ή των σωληρών εγγυήσεων, επομένως οι παραπάνω αποκλεισμοί ενδεχομένως δεν ισχύουν για εσάς. Η παρούσα εγγύηση δεν θίγει τα νομικά δικαιώματά σας που απορρέουν από την ισχύουσα εθνική νομοθεσία ή τους τοπικούς κανονισμούς.

Παρακαλούμε προσέξτε ότι: Η διάρκεια ζωής της μπαταρίας θα μειωθεί σημαντικά, αν την αφήσετε μεγάλο διάστημα αφόρτιστη. Σας συστήνουμε επομένως να φορτίζετε τη συσκευή σας τουλάχιστον μία φορά τον μήνα.

13 Εγκρίσεις πιστοποίησης και ασφάλειας

CE

Η συσκευή αυτή φέρει τη σήμανση CE σύμφωνα με τις διατάξεις της Οδηγίας 1999/5/ΕΟΚ περί τερματικού ραδιοφωνικού και τηλεπικοινωνιακού εξοπλισμού (R&TTE).

Με το παρόν, η GN Netcom δηλώνει υπεύθυνα ότι αυτή η συσκευή συμμορφούται με τις ουσιαστικές απαιτήσεις και άλλες σχετικές διατάξεις της Οδηγίας 1999/5/ΕΟΚ.

Για περισσότερες πληροφορίες, επισκεφθείτε τη διεύθυνση <http://www.jabra.com> στο Διαδίκτυο.

Εντός της Ε.Ε., αυτή η συσκευή προορίζεται για χρήση στην Αυστρία, το Βέλγιο, την Κύπρο, τη Δημοκρατία της Τσεχίας, τη Δανία, την Εσθονία, τη Φινλανδία, τη Γαλλία, τη Γερμανία, την Ελλάδα, την Ουγγαρία, την Ιρλανδία, την Ιταλία, τη Λετονία, τη Λιθουανία, το Λουξεμβούργο, τη Μάλτα, την Πολωνία, την Πορτογαλία, τη Σλοβακία, τη Σλοβενία, την Ισπανία, τη Σουηδία, την Ολλανδία, το Ηνωμένο Βασίλειο και, στις χώρες της Ε.Ζ.Ε.Σ., στην Ισλανδία, τη Νορβηγία και την Ελβετία

Bluetooth

Το σήμα και τα λογότυπα *Bluetooth*® ανήκουν στην Bluetooth SIG, Inc. και κάθε χρήση τους από την GN Netcom γίνεται κατόπιν ειδικής αδείας. Οι υπόλοιπες εμπορικές ονομασίες ανήκουν στους αντίστοιχους κατόχους τους.

GB

F

14 Γλωσσάρι

DE

1 Bluetooth: Τεχνολογία ραδιοσυχνότητας που συνδέει συσκευές, όπως κινητά τηλέφωνα και ακουστικά σε μικρή απόσταση (περίπου 10 μέτρα), χωρίς τη χρήση καλωδίων. Περισσότερες πληροφορίες υπάρχουν στην διαδικτυακή τοποθεσία www.bluetooth.com.

IT

NL

2 Προφίλ Bluetooth: Οι διάφοροι τρόποι με τους οποίους μια συσκευή Bluetooth επικοινωνεί με άλλες συσκευές. Τα τηλέφωνα Bluetooth υποστηρίζουν το προφίλ ακουστικού, το προφίλ hands-free ή και τα δύο. Για την υποστήριξη ενός συγκεκριμένου προφίλ, ο κατασκευαστής του τηλεφώνου θα πρέπει υποχρεωτικά να ενσωματώσει ορισμένα στοιχεία στο λογισμικό του τηλεφώνου.

ES

DK

3 Ζεύξη: Δημιουργεί μια μοναδική, κρυπτογραφημένη σύνδεση μεταξύ δύο συσκευών Bluetooth, επιτρέποντας την επικοινωνία μεταξύ τους. Οι συσκευές Bluetooth δεν λειτουργούν εάν δεν έχουν συζευχθεί.

SU

SE

4 Κωδικός ή PIN: Ο κωδικός που πληκτρολογείτε στο κινητό τηλέφωνο, προκειμένου να συζευχθεί με το Jabra JX10 cara. Έτσι το τηλέφωνο και το Jabra JX10 cara αναγνωρίζονται μεταξύ τους και συνεργάζονται αυτόματα.

NO

PT

5 Κατάσταση αναμονής: Όταν το Jabra JX10 cara αναμένει κάποια κλήση. Όταν “τερματίσετε” μια κλήση στο κινητό σας τηλέφωνο, το ακουστικό περνά σε κατάσταση αναμονής.

GR



Απορρίψτε το προϊόν σύμφωνα με τα τοπικά πρότυπα και κανονισμούς.
www.jabra.com/weee